

<http://hobi-elektronika.net>

# BIXBY 2.0

## PV BUILD

**2009-09-22**

DATE	CHANGE NO.	REV
2009/04/01	2009-ECO-005677	D
2009/03/30	2009-ECO-005373	C
2009/03/27	2009-ECO-005259	B
2009/03/23	2009-ECO-004754	A

DRAWER	EE	DATE	POWER	DATE	TITLE				
Chang, Irene	2009-APR-03	Ho, Wen-Pin	2009-APR-03	INVENTEC <b>BIXBY-MB</b>					
Wu, Bruce	2009-APR-03	Ho, Wen-Pin	2009-APR-03						
Wu, Bruce	2009-APR-03	Ho, Wen-Pin	2009-APR-03						
Wu, Bruce	2009-APR-03	Ho, Wen-Pin	2009-APR-03						
SIZE = 3					VER : A03	SIZE A3	CODE CS	DOC. NUMBER 1310A22623-0-MTR	REV A
FILE NAME : BIXBY-6050A2262301-MB-A03-35					SHEET 1		OF 56		
PN	6050A221S101								

<http://hobi-elektronika.net>

**TABLE OF CONTENTS**

<b>PAGE</b>	<b>PAGE</b>
1. COVER PAGE	35.MINI CARD 2 (FOR 3.5G) & SIM SLOT
2. INDEX	36.LAN CONTROLLER & RJ45
3. BLOCK DIAGRAM	37.SATA CONN
4. POWER SEQUENCE BLOCK	38.CARD READER(5 IN 1)
5. SYSTEM POWER (3V/5V)	39.USB 0,USB1
6. SYSTEM POWER (+V1.05S/+V1.8)	40.KBC
7. CPU CORE POWER	41.KEYBOARD CONN
8.+V1.5S / +V0.9S	42. ALL LED AND LID SWITCH
9-10. POWER SLEEP	43. BLUETOOTH
11.CLOCK GENERATOR & ICS9LPRS365	44.EMI CAP
12-14.INTEL DIAMONDVILLE -1	45.AUDIO CONTROLLER
15.CPU VSS & THERMAL & FAN	46. SPK CONN, MIC CONN, DC BOARD CONN
15.FAN & THERMAL CONTROLLER	48.Audio Jack Board connector & RL switch
16-23.945GMS	49.HISTORY
24.DDR2 DIMM0	50. DC JACK BOARD
25.DDR2 PULL UP TERMINATOR	51. DC JACK BOARD CONN
26.CRT CONN	52. LID SWITCH
27.LCM CONN & WEBCAM	53. DC JACK BOARD HISTORY
28-33.ICH7M	54. AUDIO JACK CONN
34.MINI CARD 1(FOR WIRELESS)	55. AUDIO JACK & USB
	56.AUDIO JACK BOARD HISTORY

**INVENTEC**

TITLE <b>BIXBY-MB</b>			
Table Of Content			
SIZE	CODE	DOC NUMBER	REV
A3	CS	I310A22623-0-MTR	AX1
SHEET		2	OF 56

CHANGE by *Drawer Name* 3-Jun-2009

1

2

3

4

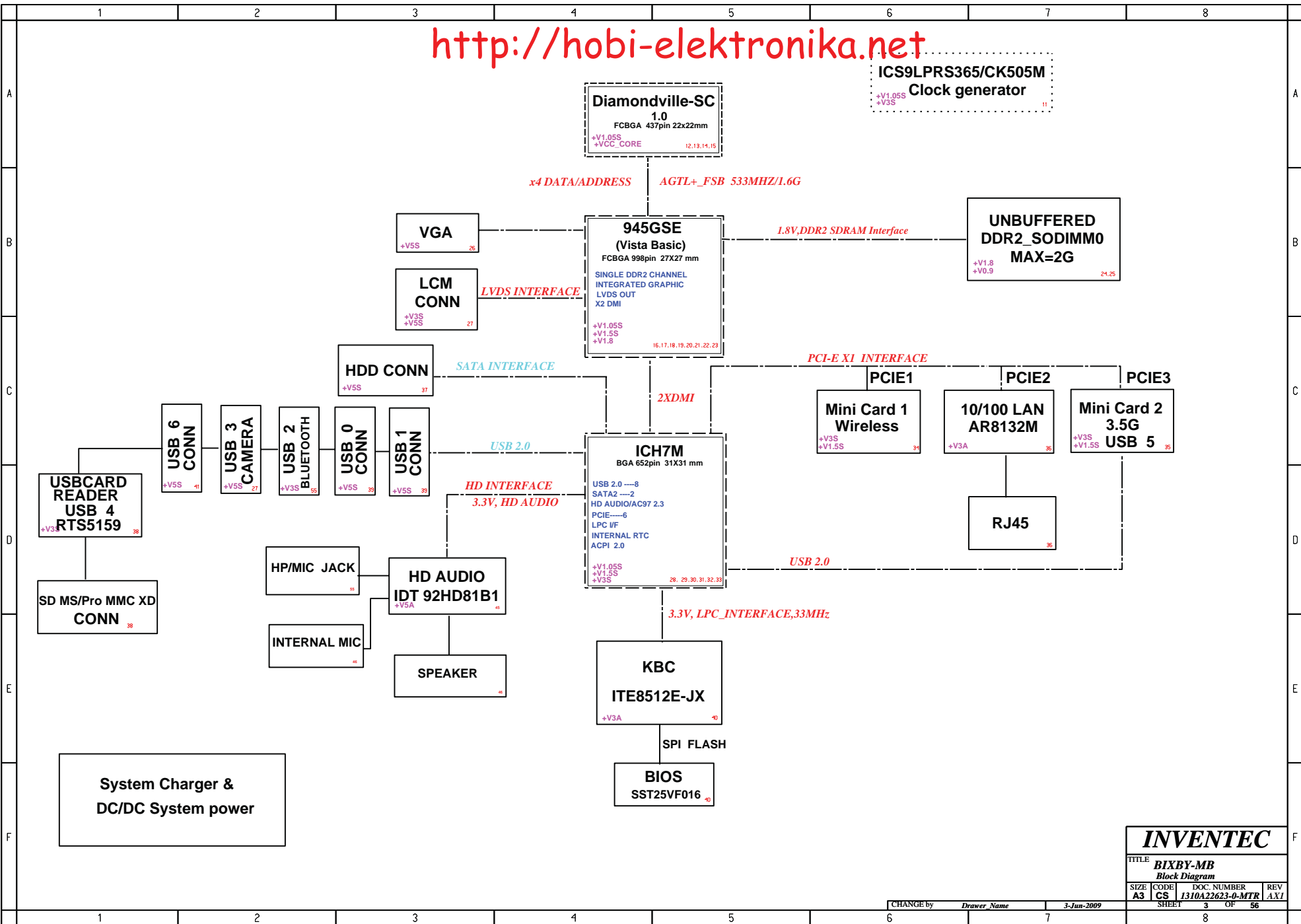
5

6

7

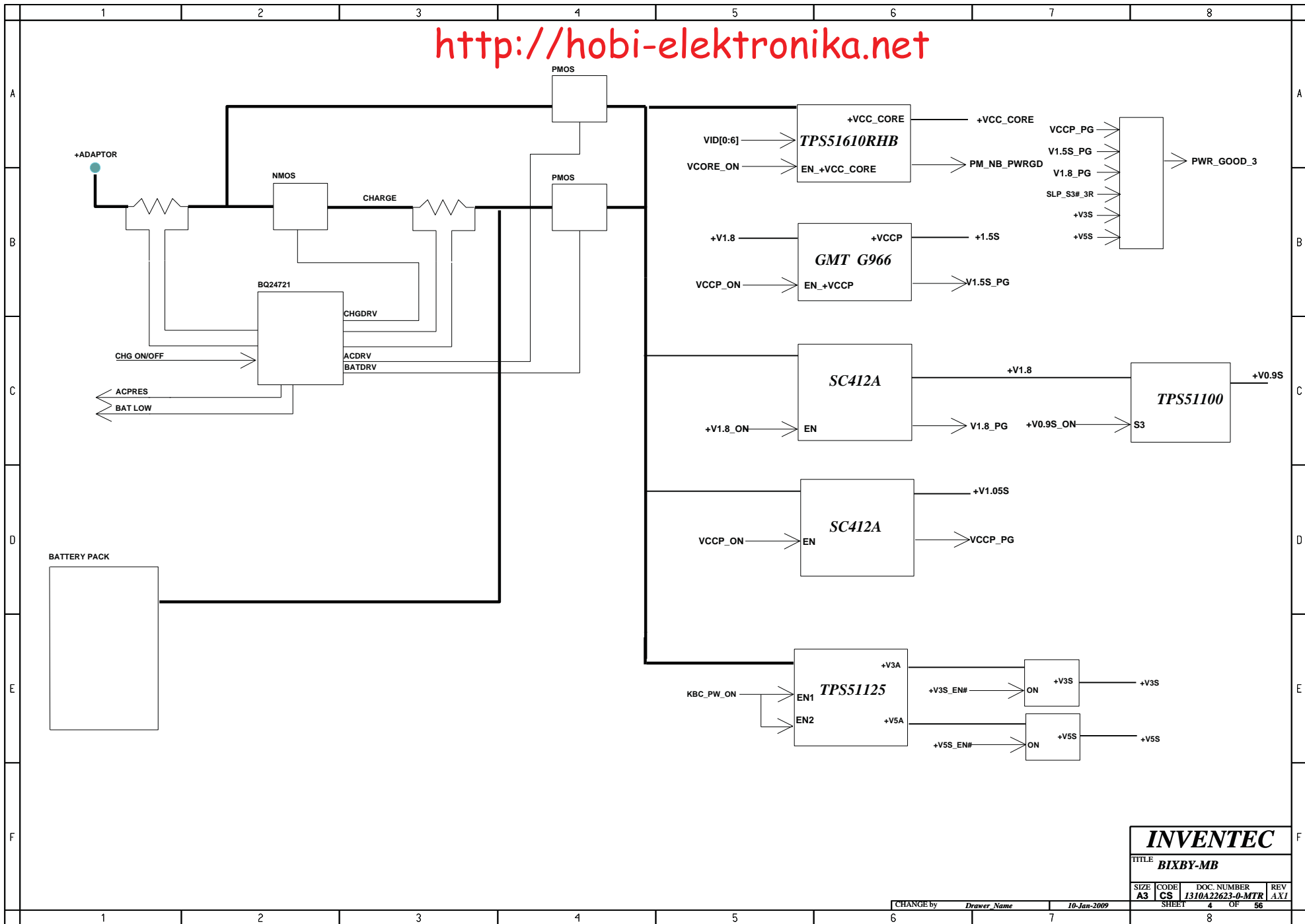
8

<http://hobi-elektronika.net>



<b>INVENTEC</b>			
TITLE <b>BIXBY-MB</b>			
Block Diagram			
SIZE <b>A3</b>	CODE <b>CS</b>	DOC NUMBER <b>I310A22623-0-MTR</b>	REV <b>AX1</b>
CHANGE by <i>Drawer Name</i>		3-Jun-2009	
SHEET <b>3</b>		OF <b>56</b>	

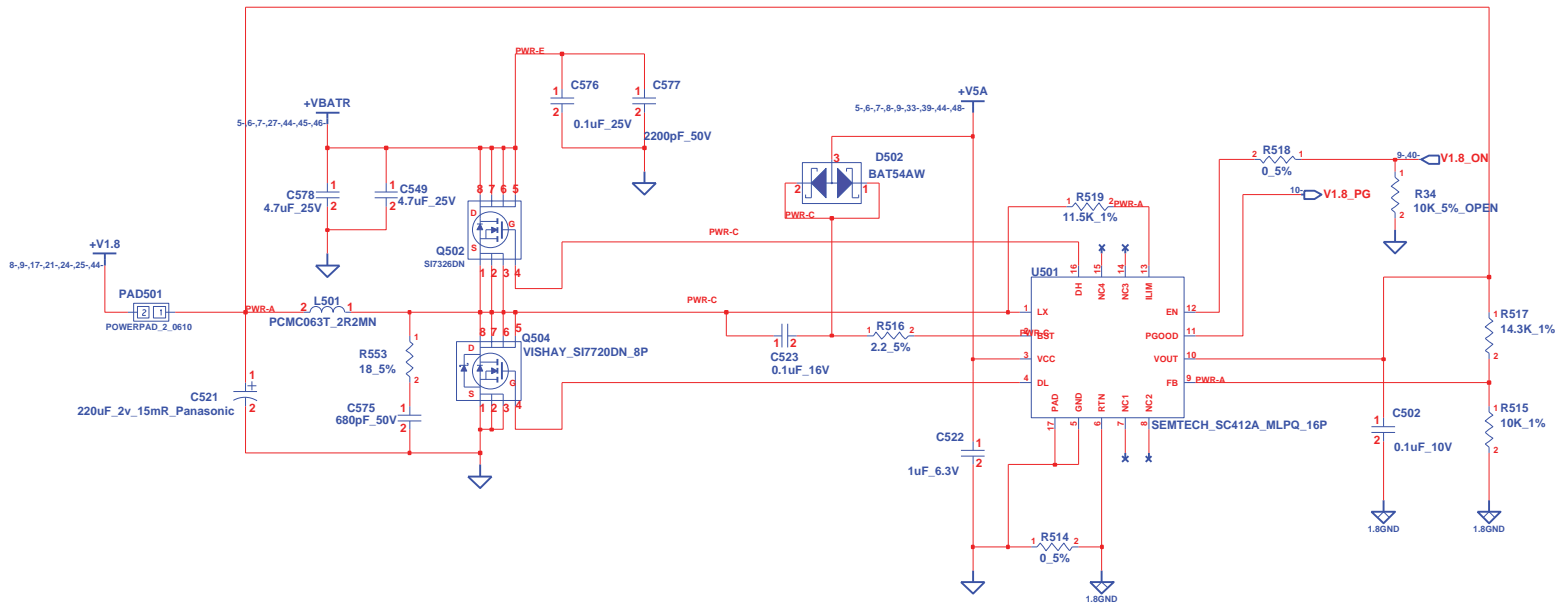
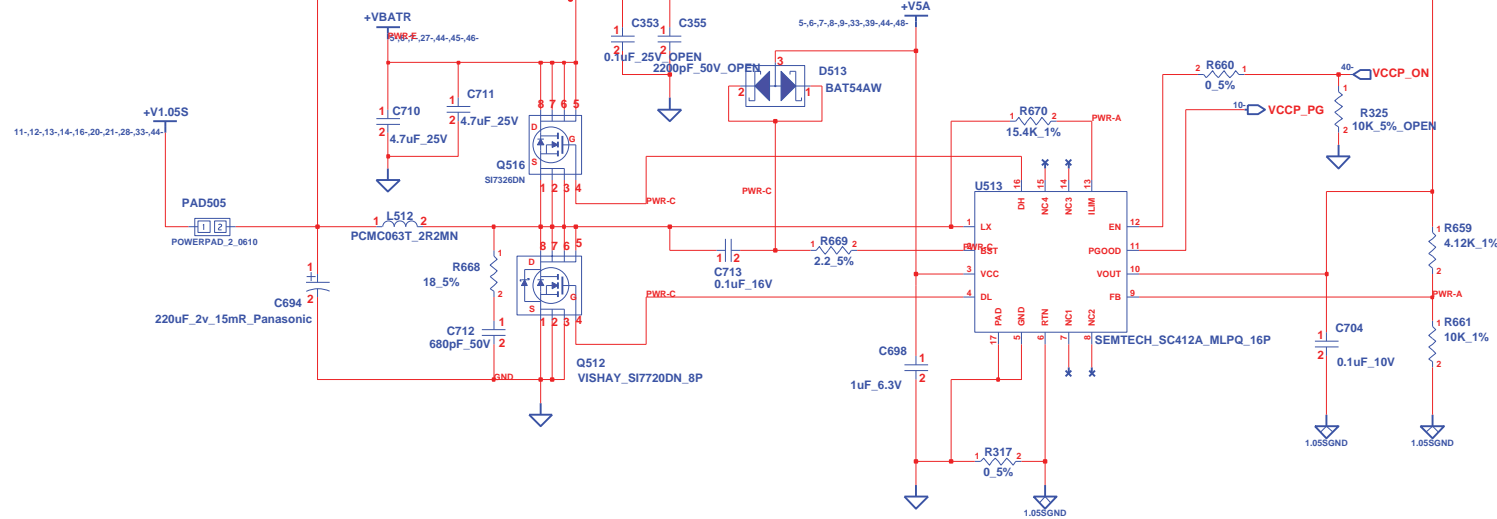
<http://hobi-elektronika.net>



<b>INVENTEC</b>			
TITLE <b>BIXBY-MB</b>			
SIZE <b>A3</b>	CODE <b>CS</b>	DOC. NUMBER <b>I310A22623-0-MTR</b>	REV <b>AX1</b>
CHANGE by <i>Drawer Name</i>		10-Jan-2009	SHEET <b>4</b> OF <b>56</b>



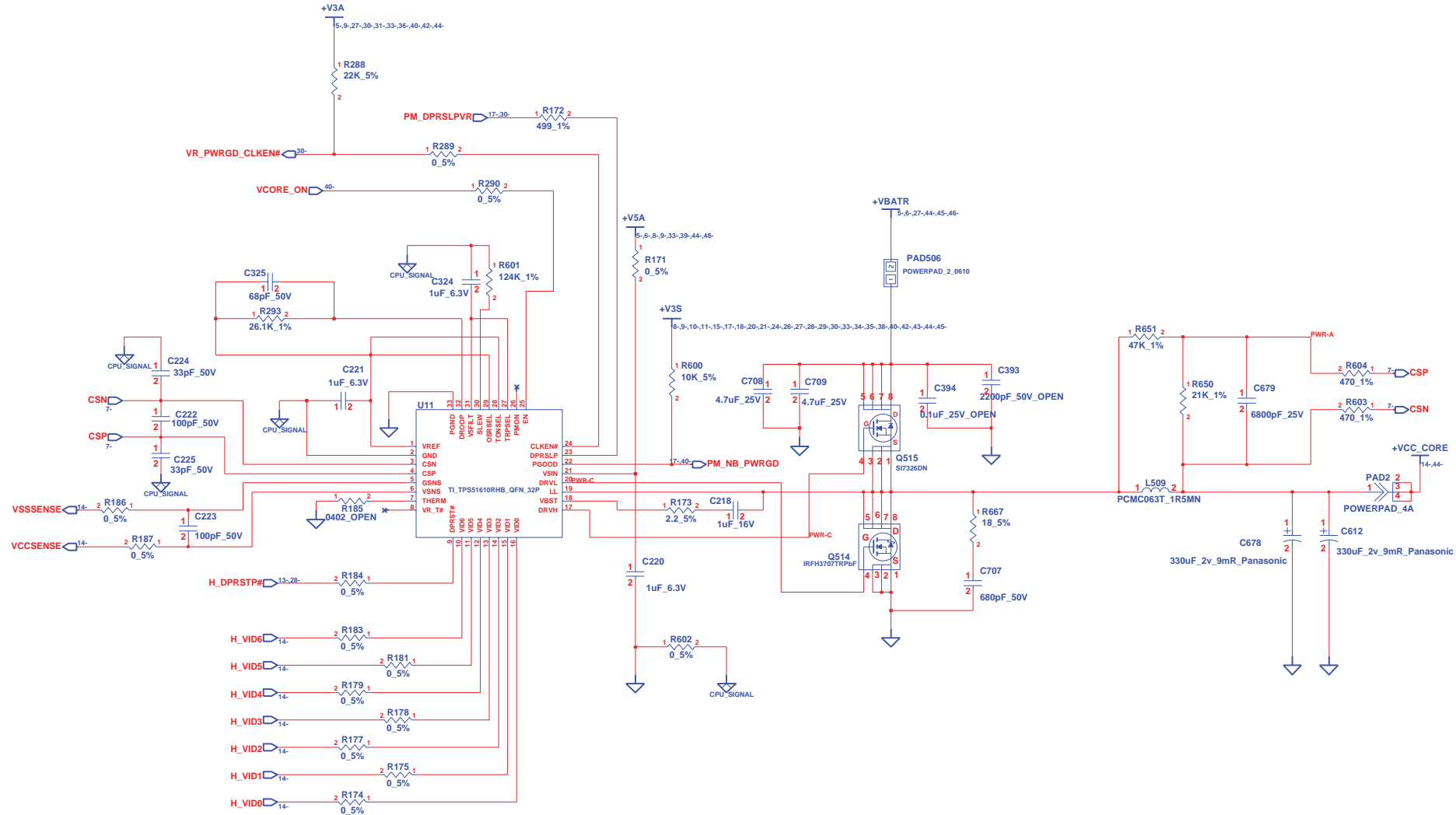
<http://hobi-elektronika.net>



<b>INVENTEC</b>			
TITLE <b>BIXBY-MB</b>			
Power 4			
SIZE <b>A3</b>	CODE <b>CS</b>	DOC NUMBER 1310A22623-0-MTR	REV AX4
SHEET		OF 56	

CHANGE by *Drawer Name* 19-Nov-2008

<http://hobi-elektronika.net>



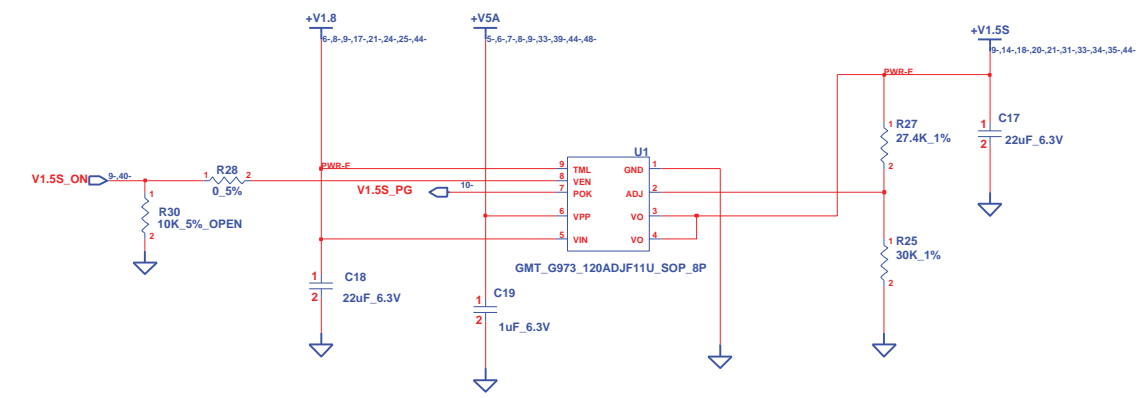
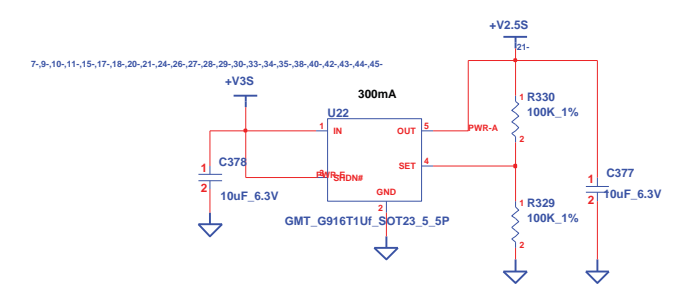
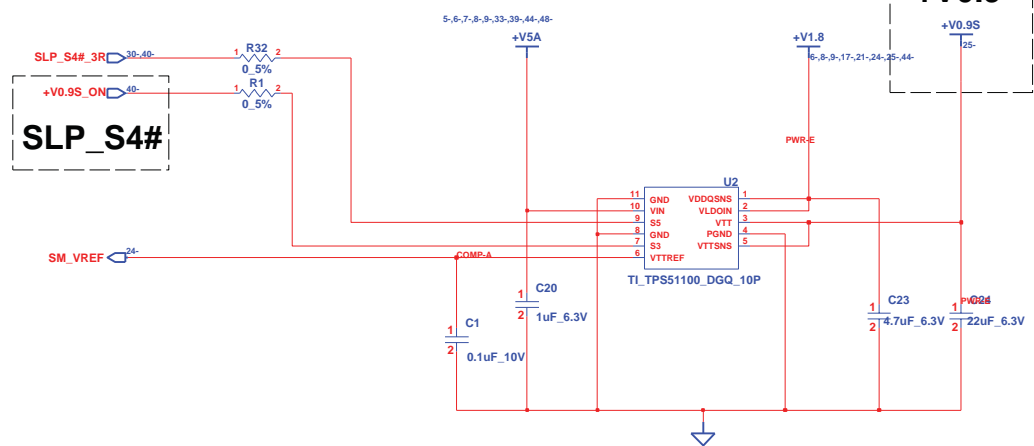
**INVENTEC**

TITLE			
<b>BIXBY-MB</b>			
<b>Power 5</b>			
SIZE	CODE	DOC NUMBER	REV
A3	CS	1310A22623-0-MTR	AXI
SHEET		OF	56

CHANGE by *Drawer Name* 19-Nov-2008

<http://hobi-elektronika.net>

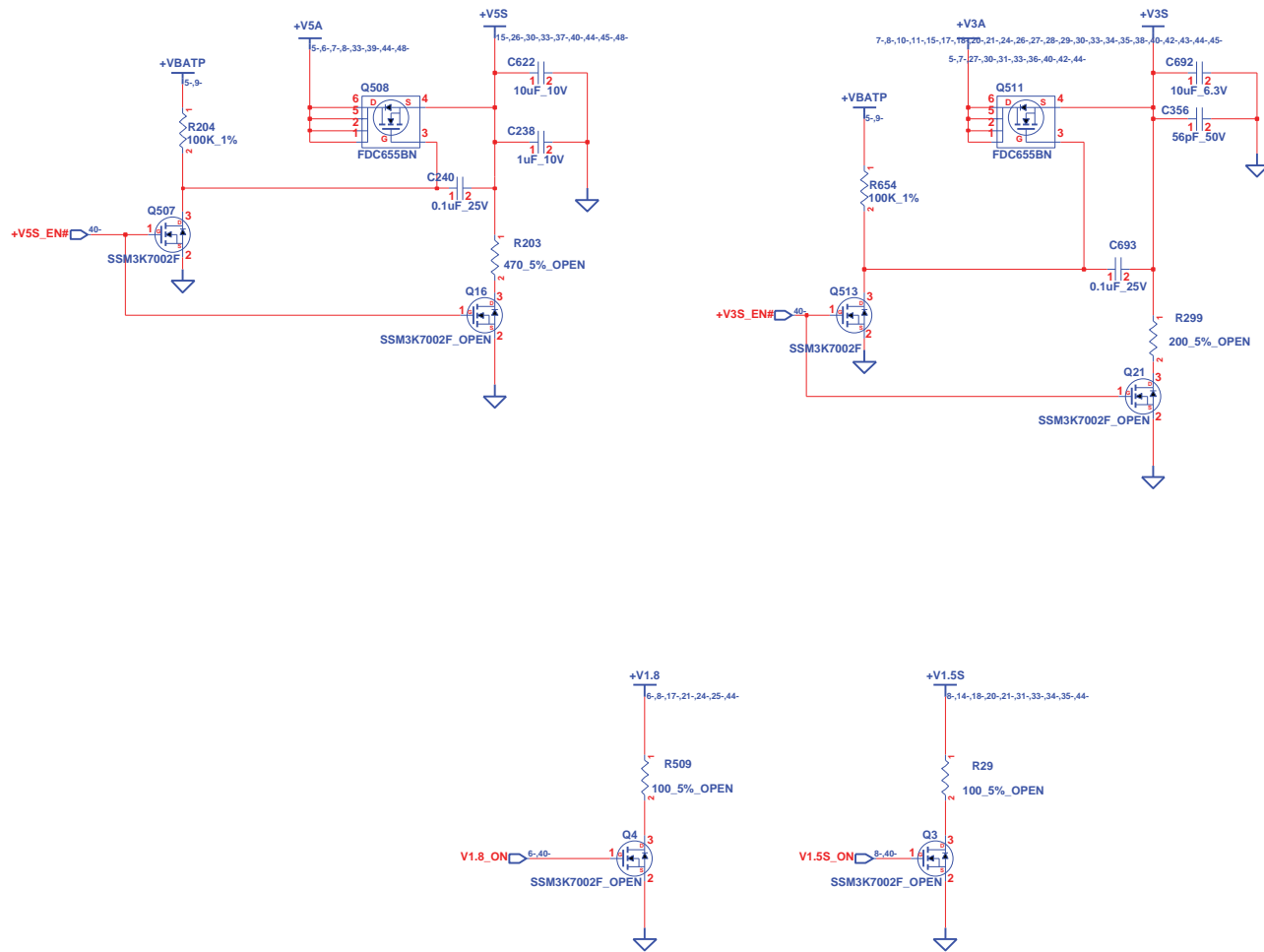
**+V0.9**



<b>INVENTEC</b>			
TITLE <b>BIXBY-MB</b>			
Power 5			
SIZE <b>A3</b>	CODE <b>CS</b>	DOC. NUMBER <b>1310A22623-0-MTR</b>	REV <b>AX1</b>
CHANGE by <i>Drawer Name</i>		19-Nov-2008	
SHEET		8 OF 56	



<http://hobi-elektronika.net>

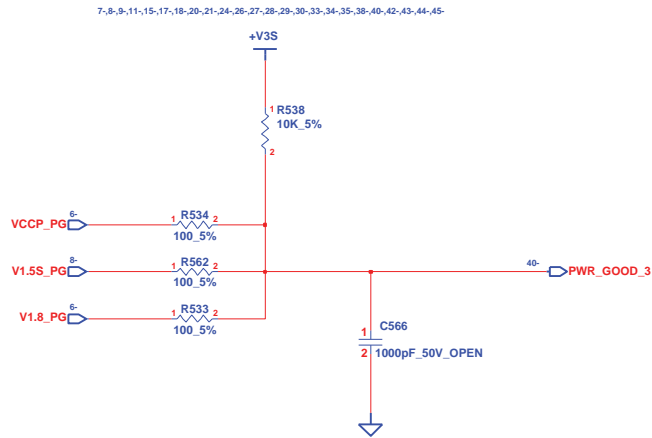


**INVENTEC**

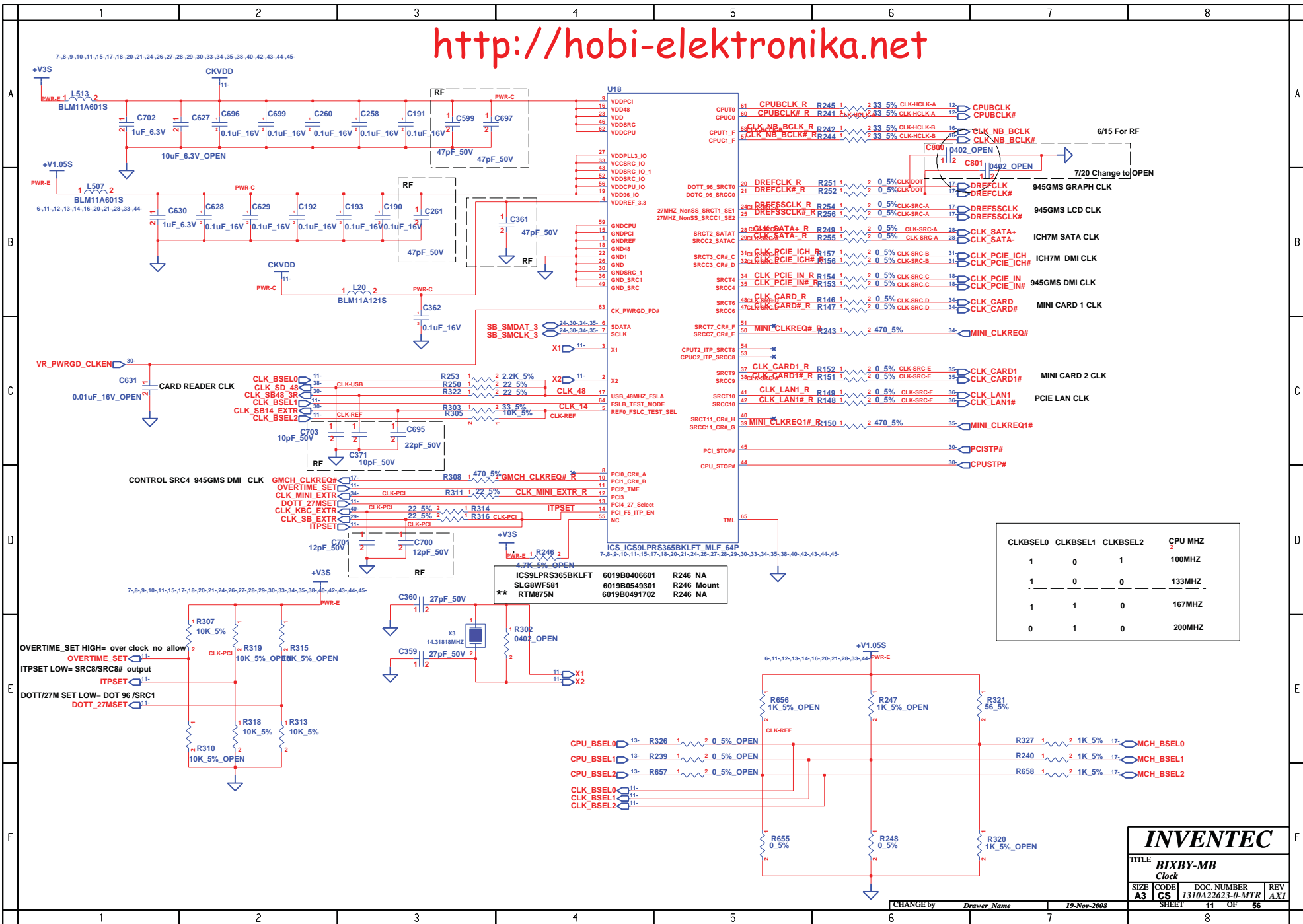
TITLE			
<b>BIXBY-MB</b>			
<b>Power 7</b>			
SIZE	CODE	DOC. NUMBER	REV
A3	CS	1310A22623-0-MTR	AXI
SHEET		OF	
9		56	

CHANGE by *Drawer Name* 19-Nov-2008

<http://hobi-elektronika.net>



<b>INVENTEC</b>			
TITLE <b>BIXBY-MB</b>			
Power 8			
SIZE <b>A3</b>	CODE <b>CS</b>	DOC NUMBER <b>1310A22151-0-MTR</b>	REV <b>AX1</b>
CHANGE by <i>Drawer Name</i>		19-Nov-2008	SHEET <b>10</b> OF <b>56</b>



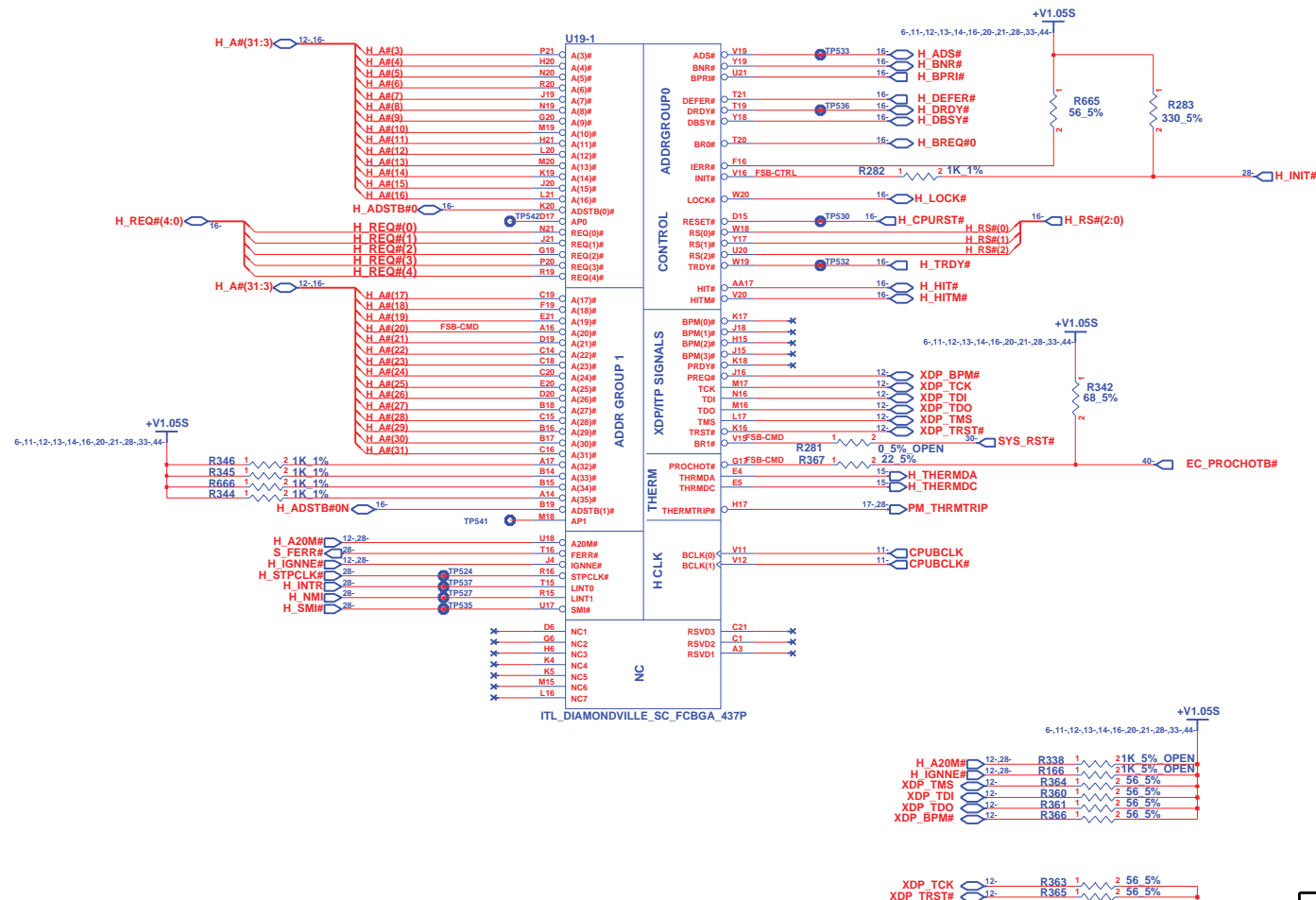
CLKBSEL0	CLKBSEL1	CLKBSEL2	CPU MHZ
1	0	1	100MHZ
1	0	0	133MHZ
1	1	0	167MHZ
0	1	0	200MHZ

**INVENTEC**

TITLE: **BIXBY-MB**  
Clock

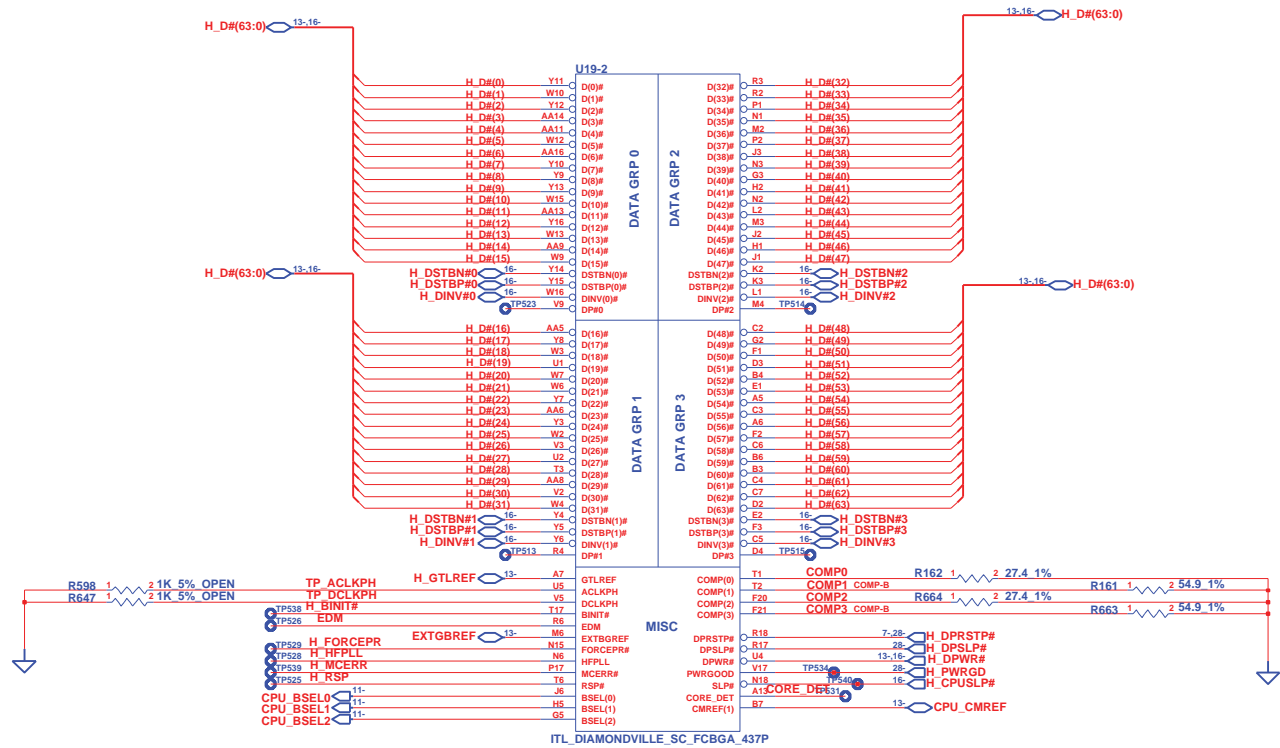
SIZE: A3	CODE: CS	DOC NUMBER: I310A22623-0-MTR	REV: AX1
SHEET: 11		OF: 56	

<http://hobi-elektronika.net>

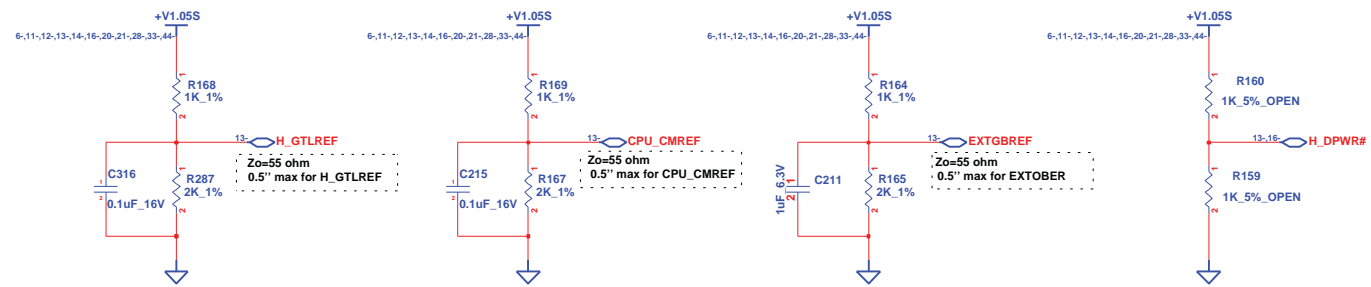


<b>INVENTEC</b>			
TITLE BIXBY-MB CPU-1			
SIZE A3	CODE CS	DOC NUMBER J310A22623-0-MTR	REV AX1
SHEET		12 OF 56	

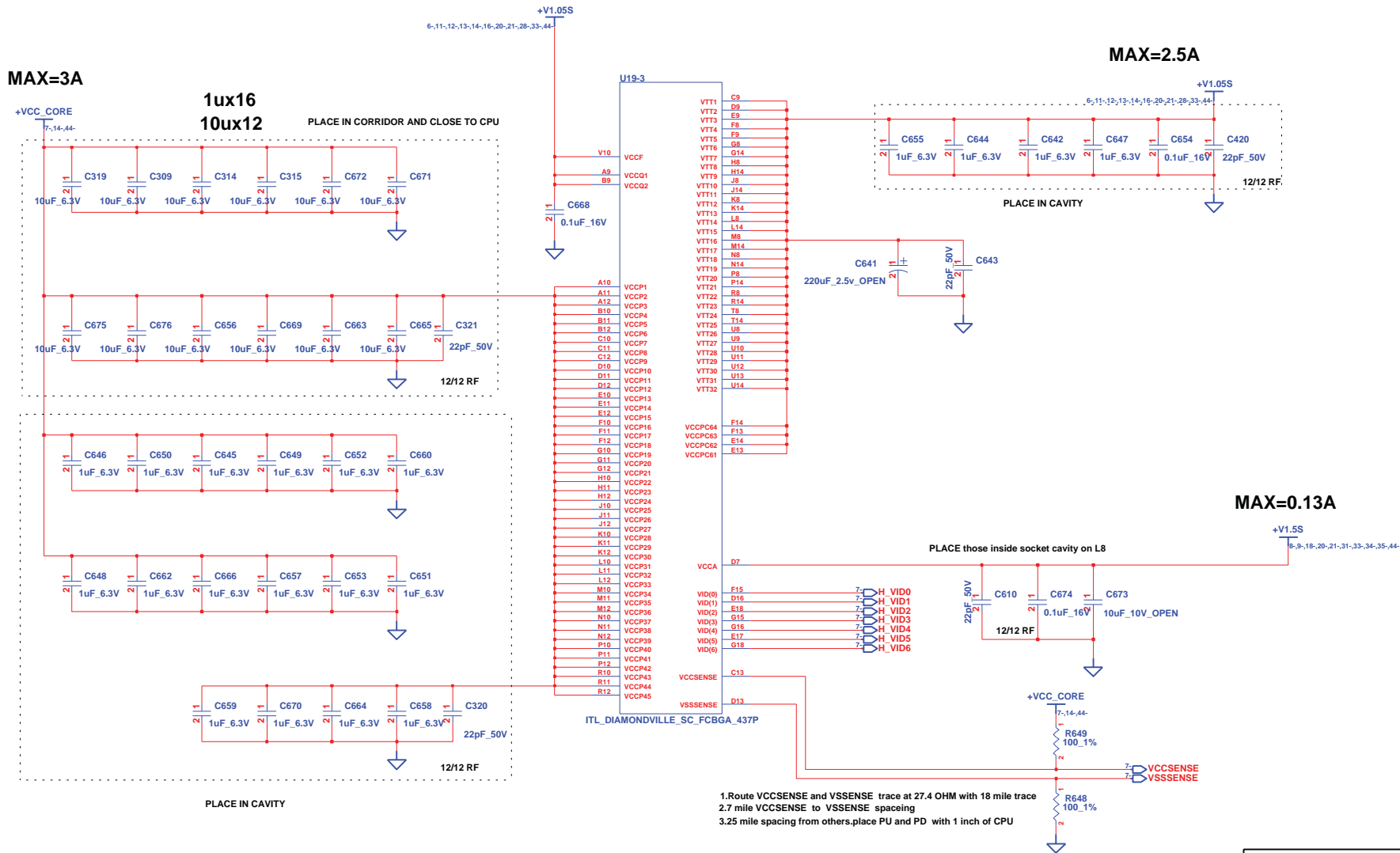
CHANGE by *Drawer Name* 19-Nov-2008



comp0,2 connect with Zo=27.4ohm  
 ,make trace length shorter than 0.5"  
 comp1,3 connect with Zo=55ohm  
 ,make trace length shorter than 0.5"

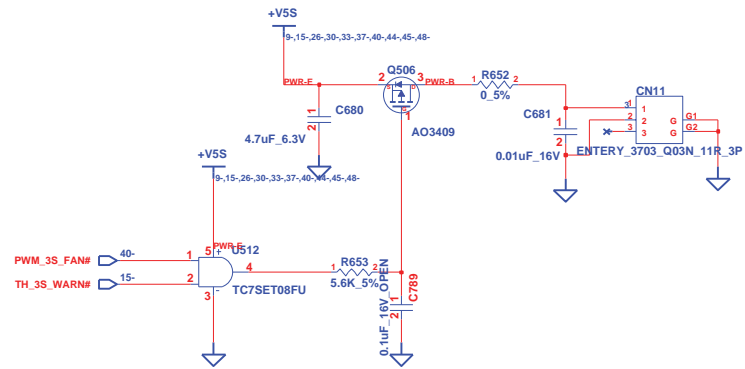
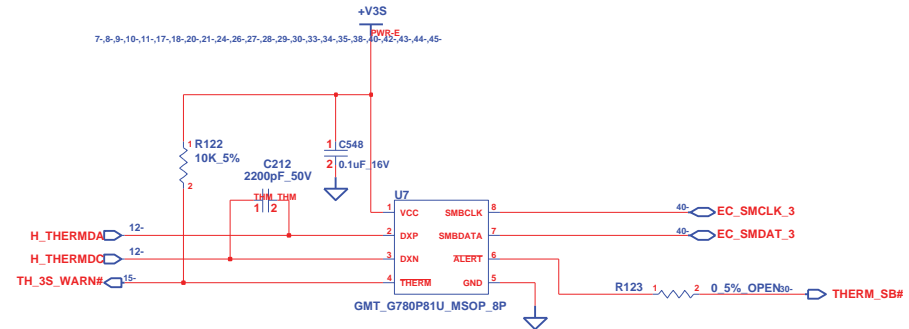
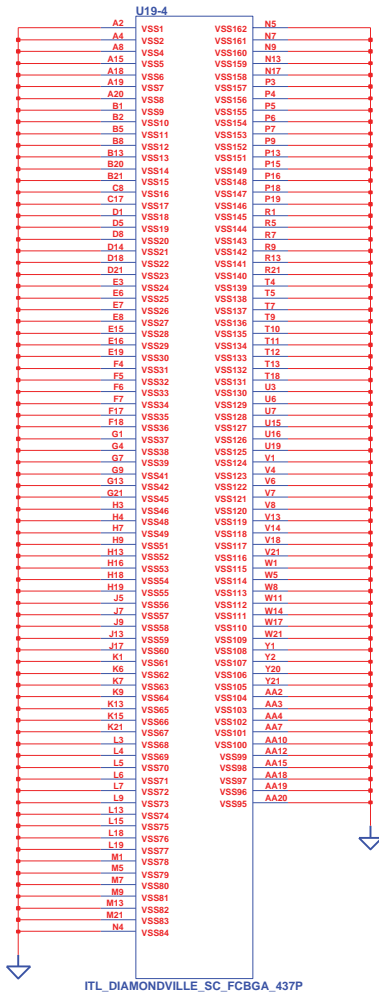


<b>INVENTEC</b>			
TITLE BIXBY-MB			
SIZE A3	CODE CS	DOC. NUMBER I310A22623-0-MTR	REV AXI
CHANGE by Drawer Name		19-Nov-2008	SHEET 13 OF 56



<b>INVENTEC</b>			
TITLE BIXBY-MB CPU-3			
SIZE A3	CODE CS	DOC. NUMBER 1310A22623-0-MTR	REV AX1
CHANGE by Drawer Name		19-Nov-2008	SHEET 14 OF 56

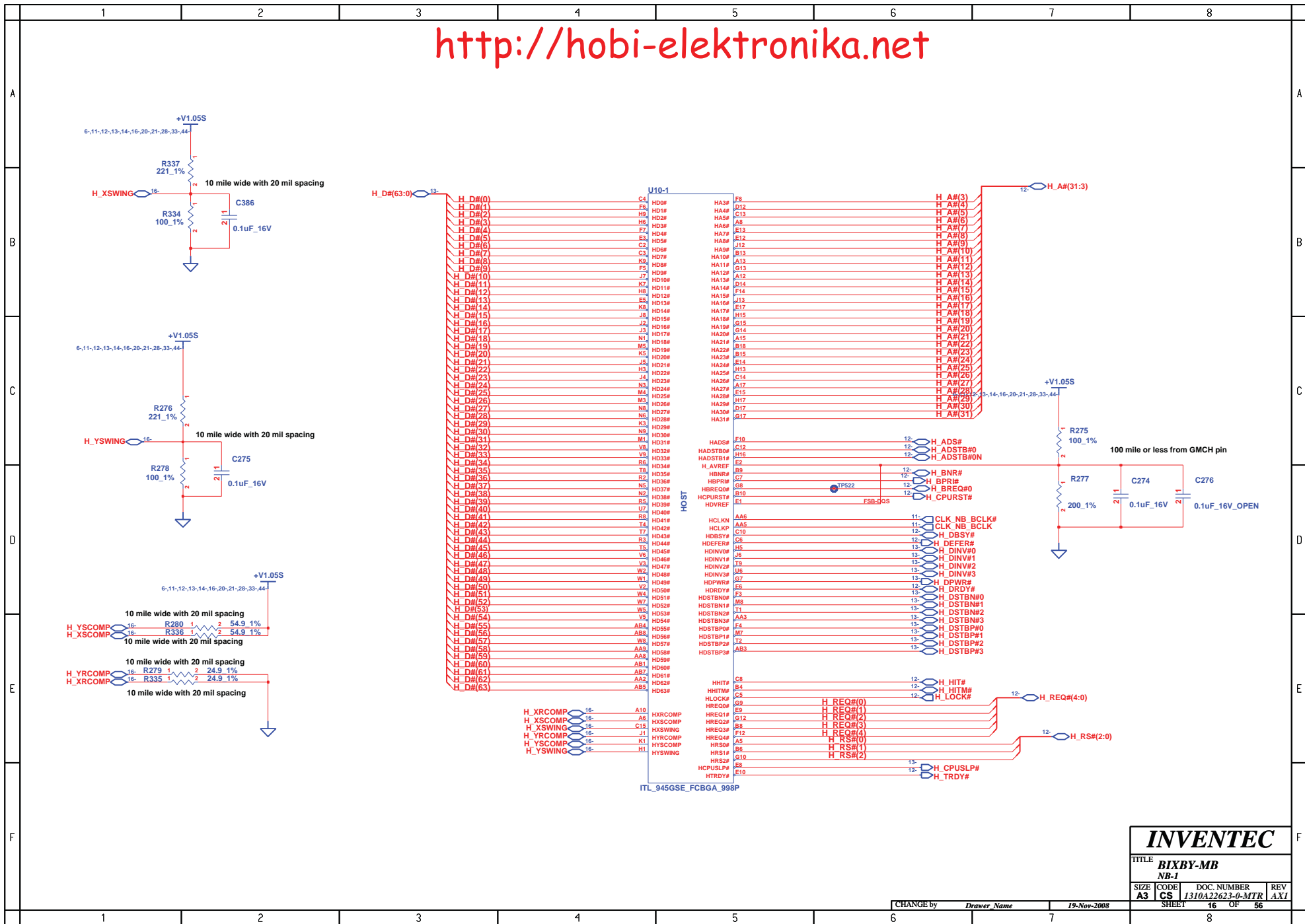
<http://hobi-elektronika.net>



**INVENTEC**

TITLE  
BIXBY-MB

SIZE A3	CODE CS	DOC. NUMBER I310A22623-0-MTR	REV AXI
CHANGE by Drawer Name		19-Nov-2008	
SHEET		15	OF 56



**INVENTEC**

TITLE **BIXBY-MB**

**NB-1**

SIZE <b>A3</b>	CODE <b>CS</b>	DOC NUMBER <b>J310A22623-0-MTR</b>	REV <b>AX1</b>
SHEET		16	OF 56

CHANGE by *Drawer Name* 19-Nov-2008

6 7 8

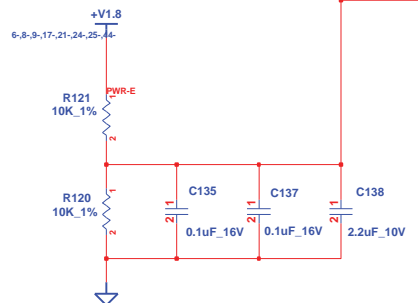
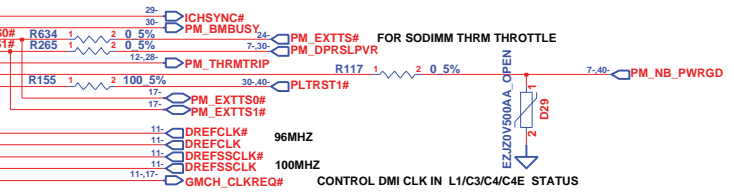
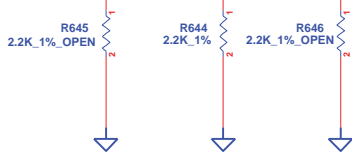


CFG3 reverse  
 CFG5 low=DMIX2 DEF  
 CFG5 high=DMIX4  
 CFG4 reverse

U10-2



Only support 2 DMI interface

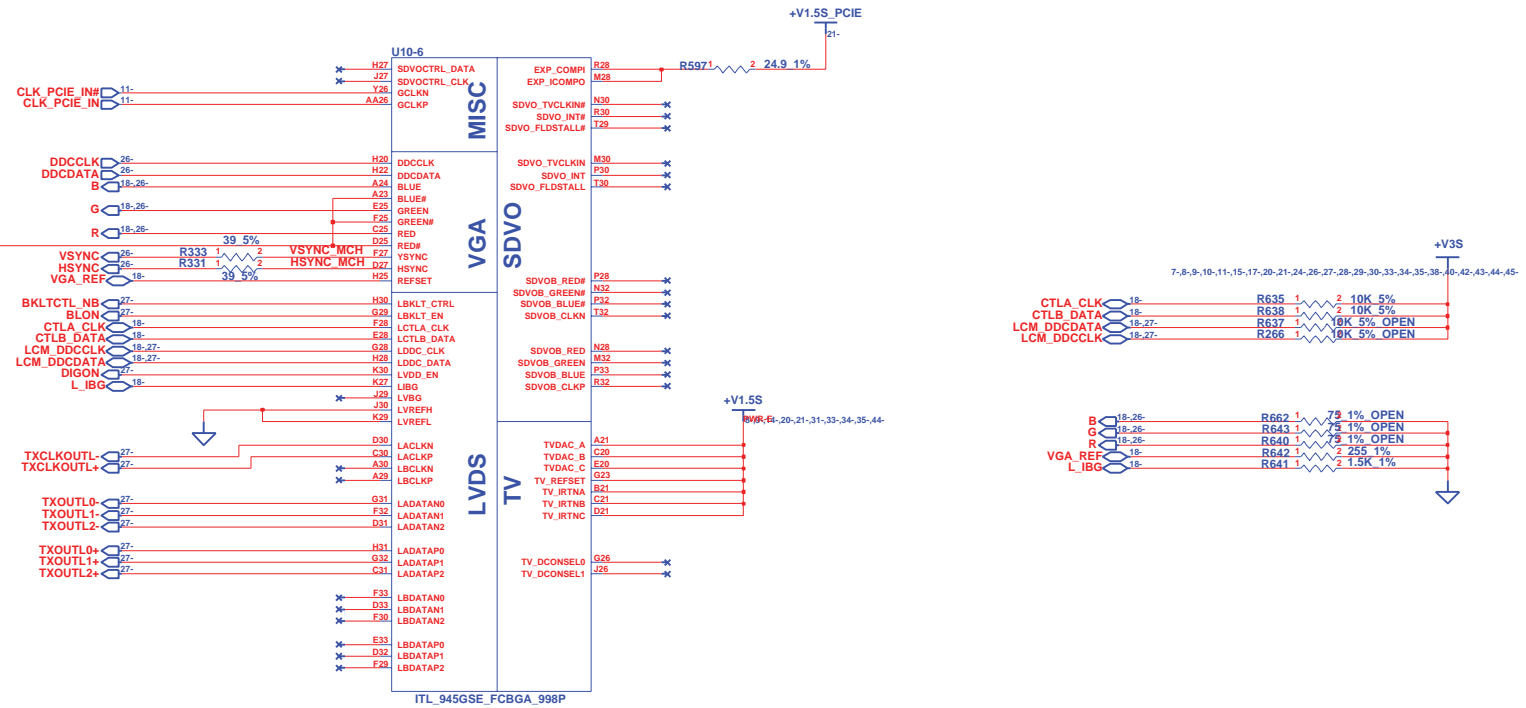


**INVENTEC**

TITLE			
SIZE	CODE	DOC. NUMBER	REV
SHEET		1310A22151-0-MTR	B
		OF	

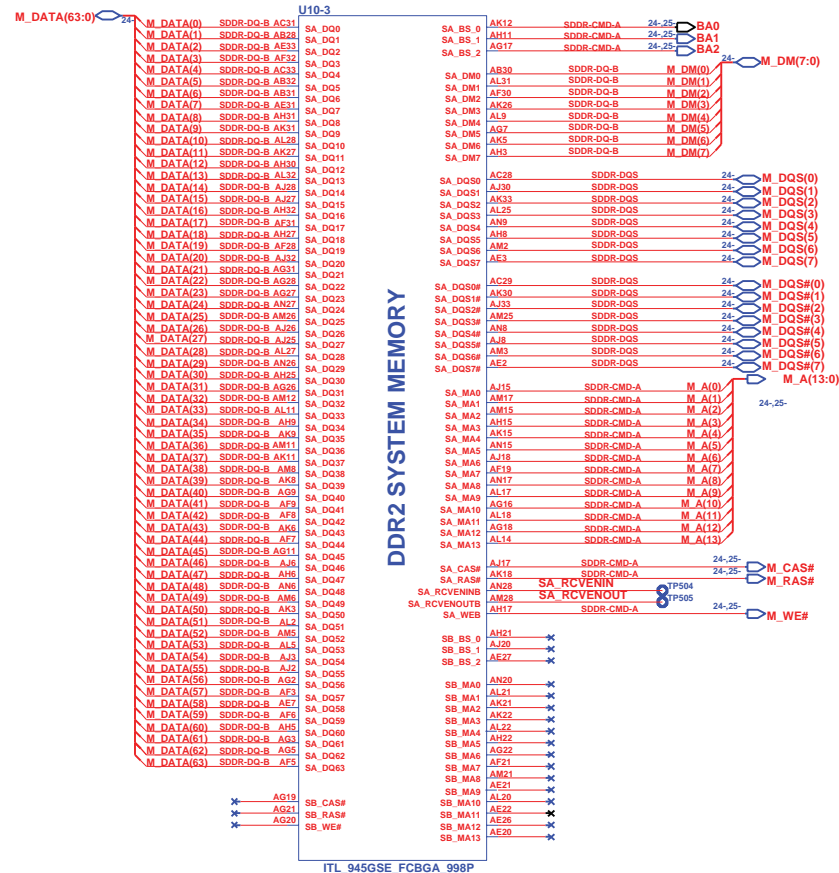
CHANGE by

<http://hobi-elektronika.net>



<b>INVENTEC</b>			
TITLE <b>BIXBY-MB</b>			
NB-3			
SIZE A3	CODE CS	DOC. NUMBER 1310A22623-0-MTR	REV AX1
CHANGE by Drawer Name		19-Nov-2008	SHEET 18 OF 56

<http://hobi-elektronika.net>



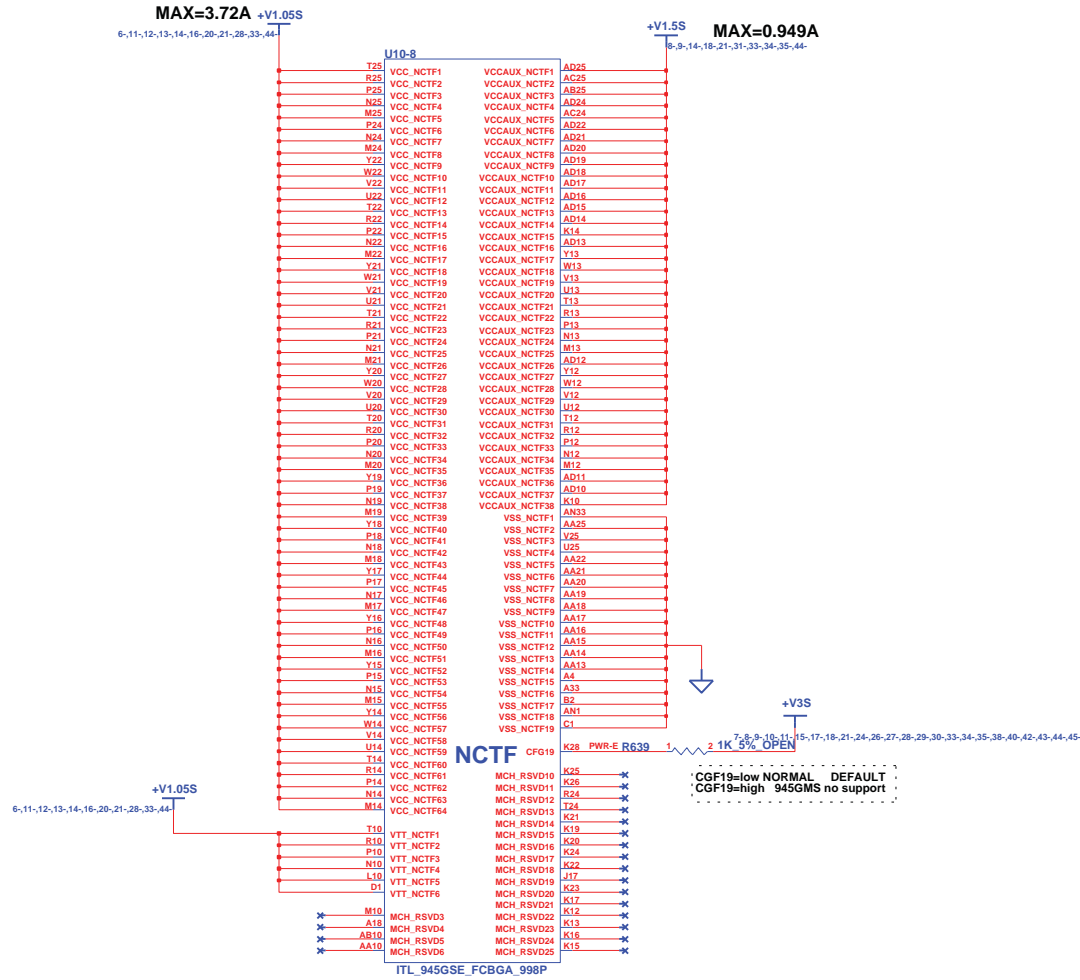
DDR2 SYSTEM MEMORY

ITL 945GSE\_FCBGA\_998P

<b>INVENTEC</b>			
TITLE <b>BIXBY-MB</b>			
NB-4			
SIZE <b>A3</b>	CODE <b>CS</b>	DOC. NUMBER <b>1310A22623-0-MTR</b>	REV <b>AXI</b>
SHEET <b>19</b>		OF <b>56</b>	

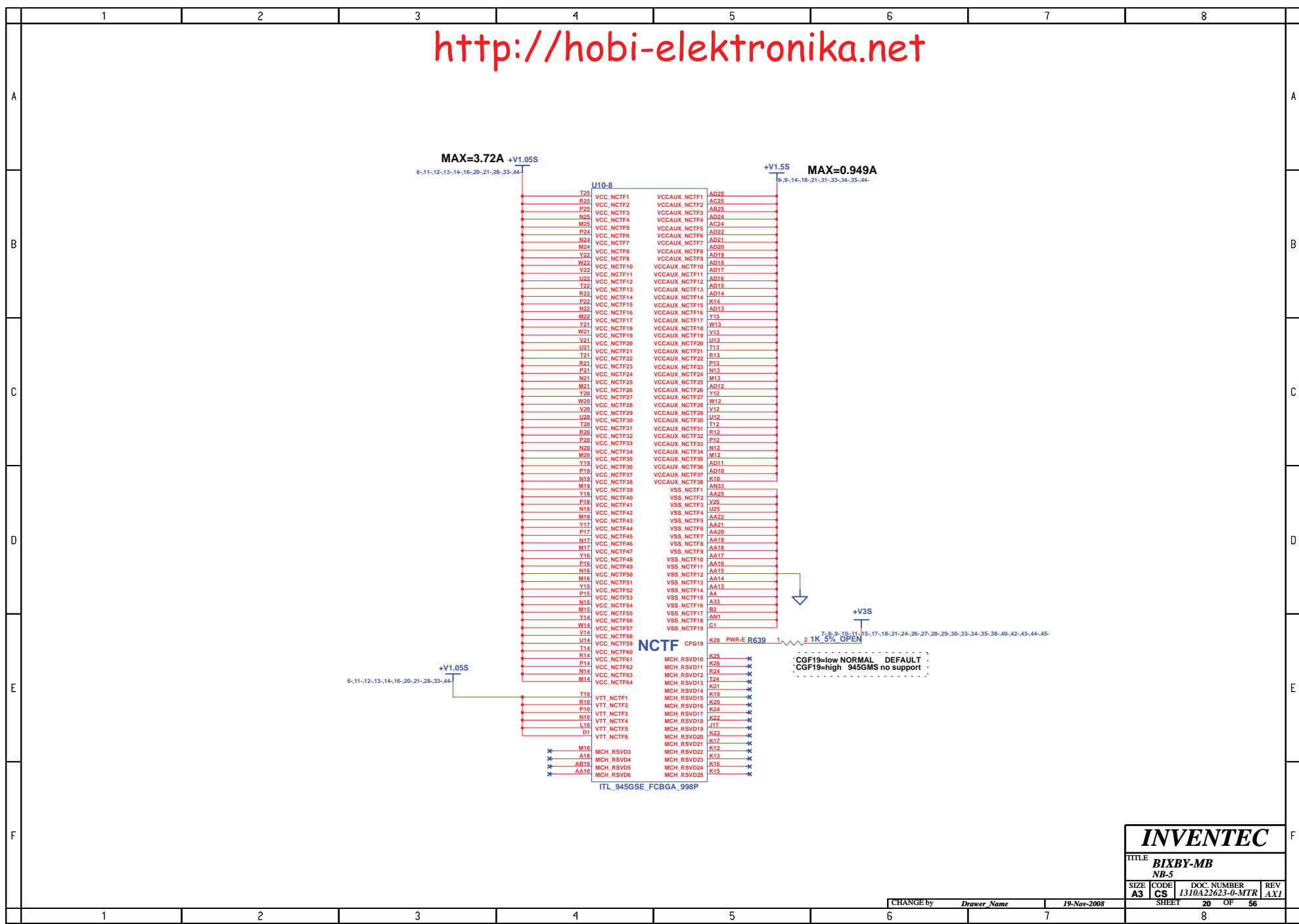
CHANGE by *Drawer Name* 10-Jan-2009

<http://hobi-elektronika.net>



<b>INVENTEC</b>			
TITLE <b>BIXBY-MB</b>			
NB-5			
SIZE	CODE	DOC NUMBER	REV
A3	CS	1310A22623-0-MTR	AX1
SHEET		20	OF 56

CHANGE by *Drawer Name* 19-Nov-2008





<http://hoji-elektronika.net>

U10-5

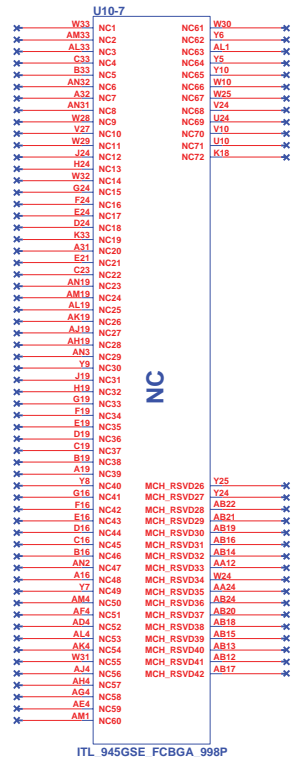
AK31	VSS1	VSS105
AK32	VSS2	VSS106
AK33	VSS3	VSS107
AK34	VSS4	VSS108
AK35	VSS5	VSS109
AK36	VSS6	VSS110
AK37	VSS7	VSS111
AK38	VSS8	VSS112
AK39	VSS9	VSS113
AK40	VSS10	VSS114
AK41	VSS11	VSS115
AK42	VSS12	VSS116
AK43	VSS13	VSS117
AK44	VSS14	VSS118
AK45	VSS15	VSS119
AK46	VSS16	VSS120
AK47	VSS17	VSS121
AK48	VSS18	VSS122
AK49	VSS19	VSS123
AK50	VSS20	VSS124
AK51	VSS21	VSS125
AK52	VSS22	VSS126
AK53	VSS23	VSS127
AK54	VSS24	VSS128
AK55	VSS25	VSS129
AK56	VSS26	VSS130
AK57	VSS27	VSS131
AK58	VSS28	VSS132
AK59	VSS29	VSS133
AK60	VSS30	VSS134
AK61	VSS31	VSS135
AK62	VSS32	VSS136
AK63	VSS33	VSS137
AK64	VSS34	VSS138
AK65	VSS35	VSS139
AK66	VSS36	VSS140
AK67	VSS37	VSS141
AK68	VSS38	VSS142
AK69	VSS39	VSS143
AK70	VSS40	VSS144
AK71	VSS41	VSS145
AK72	VSS42	VSS146
AK73	VSS43	VSS147
AK74	VSS44	VSS148
AK75	VSS45	VSS149
AK76	VSS46	VSS150
AK77	VSS47	VSS151
AK78	VSS48	VSS152
AK79	VSS49	VSS153
AK80	VSS50	VSS154
AK81	VSS51	VSS155
AK82	VSS52	VSS156
AK83	VSS53	VSS157
AK84	VSS54	VSS158
AK85	VSS55	VSS159
AK86	VSS56	VSS160
AK87	VSS57	VSS161
AK88	VSS58	VSS162
AK89	VSS59	VSS163
AK90	VSS60	VSS164
AK91	VSS61	VSS165
AK92	VSS62	VSS166
AK93	VSS63	VSS167
AK94	VSS64	VSS168
AK95	VSS65	VSS169
AK96	VSS66	VSS170
AK97	VSS67	VSS171
AK98	VSS68	VSS172
AK99	VSS69	VSS173
AK100	VSS70	VSS174
AK101	VSS71	VSS175
AK102	VSS72	VSS176
AK103	VSS73	VSS177
AK104	VSS74	VSS178
AK105	VSS75	VSS179
AK106	VSS76	VSS180
AK107	VSS77	VSS181
AK108	VSS78	VSS182
AK109	VSS79	VSS183
AK110	VSS80	VSS184
AK111	VSS81	VSS185
AK112	VSS82	VSS186
AK113	VSS83	VSS187
AK114	VSS84	VSS188
AK115	VSS85	VSS189
AK116	VSS86	VSS190
AK117	VSS87	VSS191
AK118	VSS88	VSS192
AK119	VSS89	VSS193
AK120	VSS90	VSS194
AK121	VSS91	VSS195
AK122	VSS92	VSS196
AK123	VSS93	VSS197
AK124	VSS94	VSS198
AK125	VSS95	VSS199
AK126	VSS96	VSS200
AK127	VSS97	VSS201
AK128	VSS98	VSS202
AK129	VSS99	VSS203
AK130	VSS100	VSS204
AK131	VSS101	VSS205
AK132	VSS102	VSS206
AK133	VSS103	VSS207
AK134	VSS104	VSS208
AK135	VSS105	VSS209
AK136	VSS106	VSS210
AK137	VSS107	VSS211
AK138	VSS108	VSS212
AK139	VSS109	VSS213
AK140	VSS110	VSS214

ITL\_945GSE\_FCBGA\_998P

CHANGE by

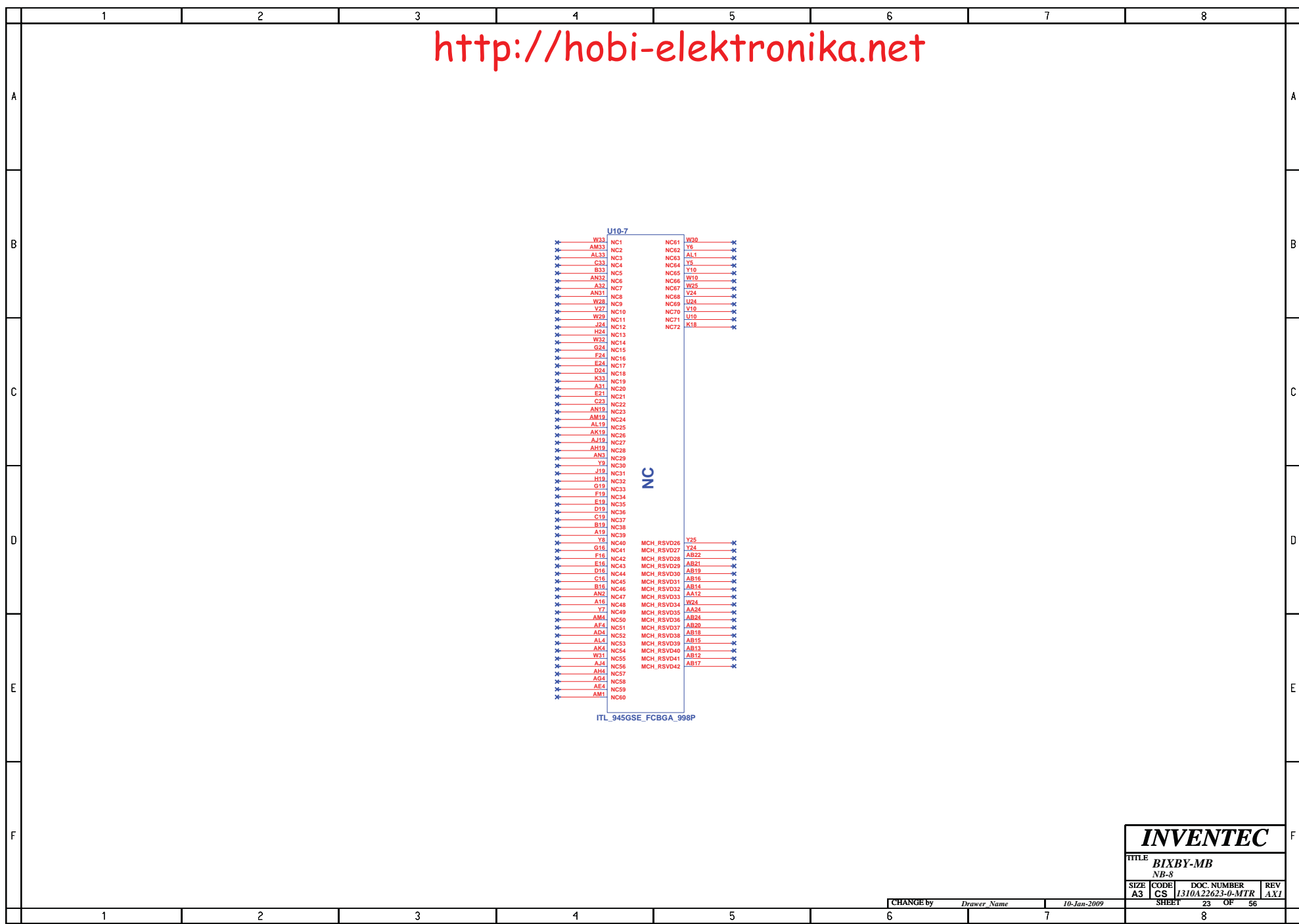
<b>INVENTEC</b>			
TITLE			
SIZE	CODE	DOC. NUMBER	REV
		1310A22151-0-MTR	B
SHEET		OF	
8		8	

<http://hobi-elektronika.net>

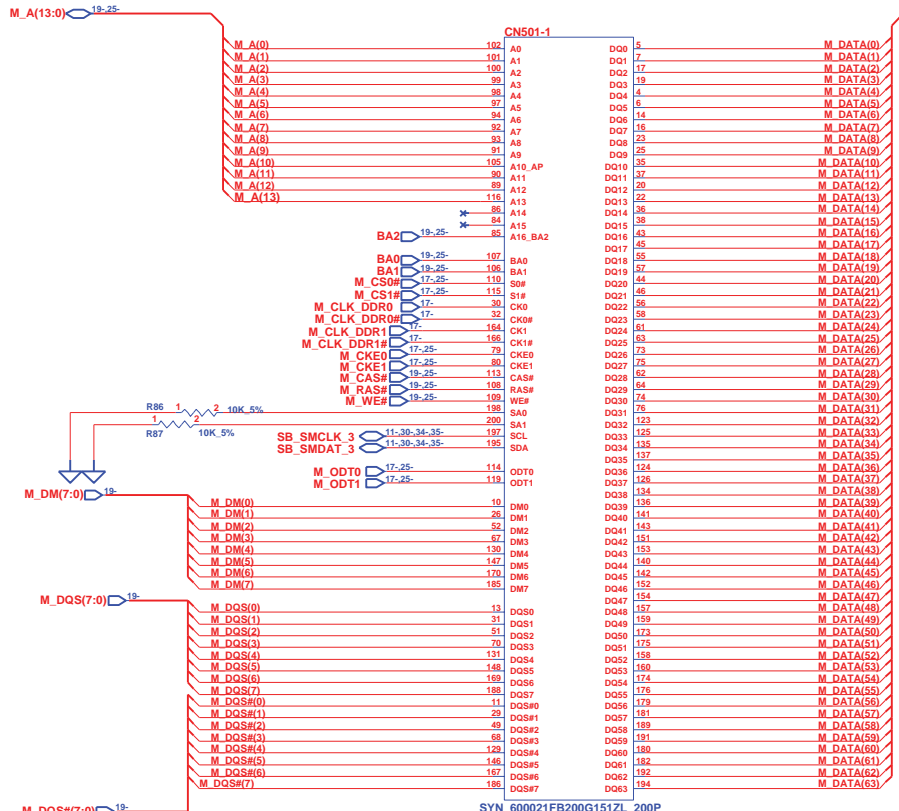


<b>INVENTEC</b>			
TITLE <b>BIXBY-MB</b>			
NB-8			
SIZE	CODE	DOC. NUMBER	REV
A3	CS	1310A22623-0-MTR	AX1
SHEET		23	OF 56

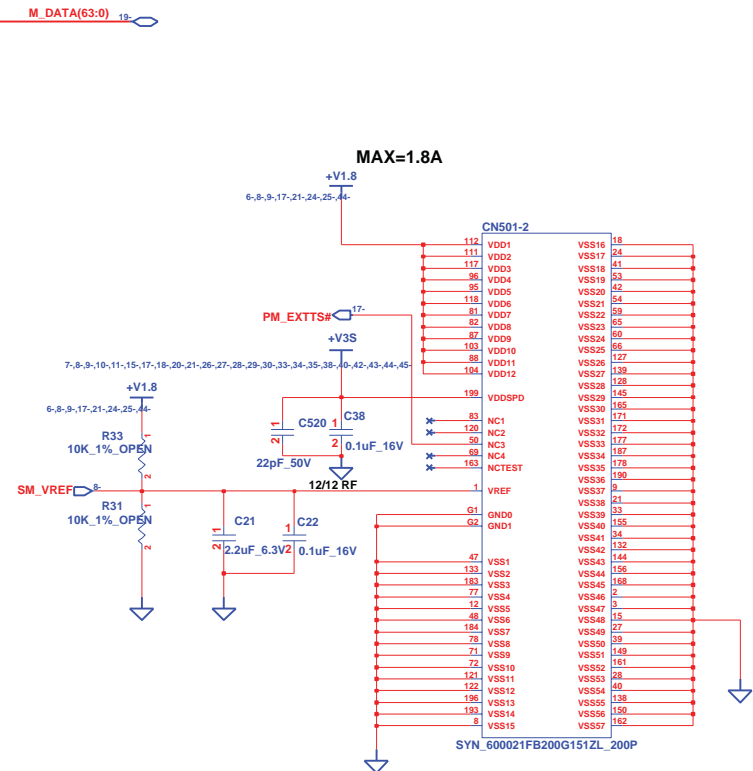
CHANGE by *Drawer Name* 10-Jan-2009



<http://hobi-elektronika.net>



**6026B0072203**



**INVENTEC**

TITLE: **BIXBY-MB  
DDR2-SODIMM**

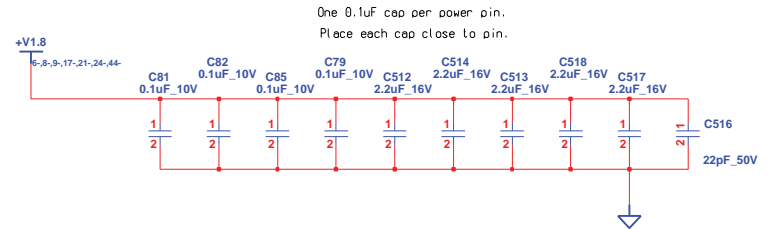
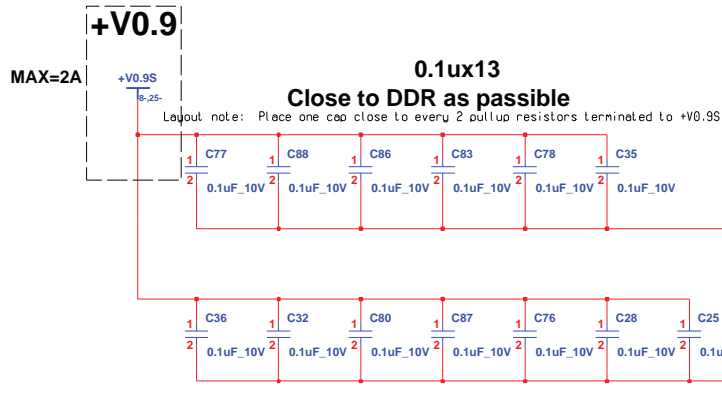
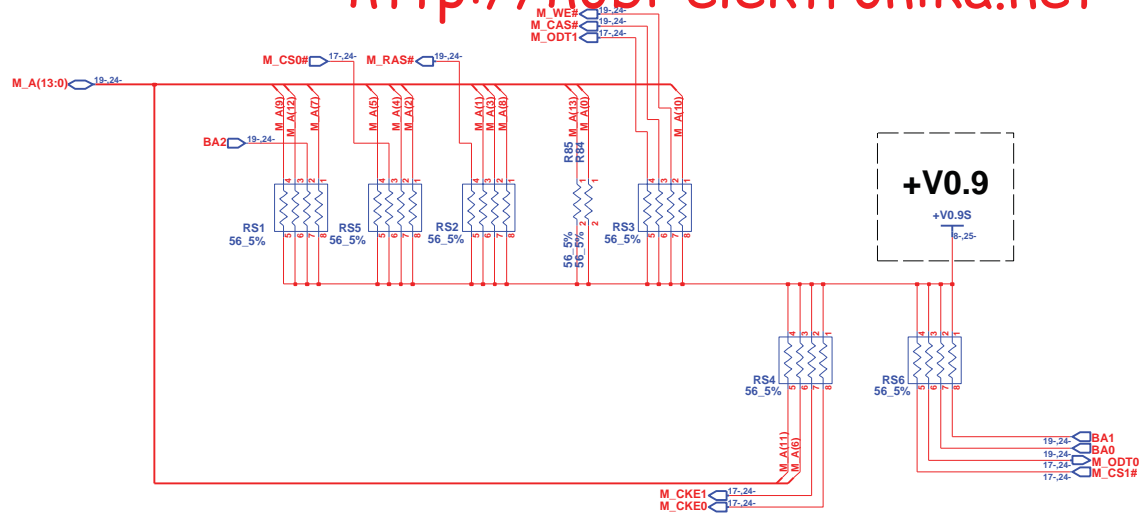
SIZE	CODE	DOC NUMBER	REV
A3	CS	1310A22623-0-MTR	AX1

CHANGE by *Drawer Name* 19-Nov-2008

SHEET 24 OF 56



<http://hobi-elektronika.net>



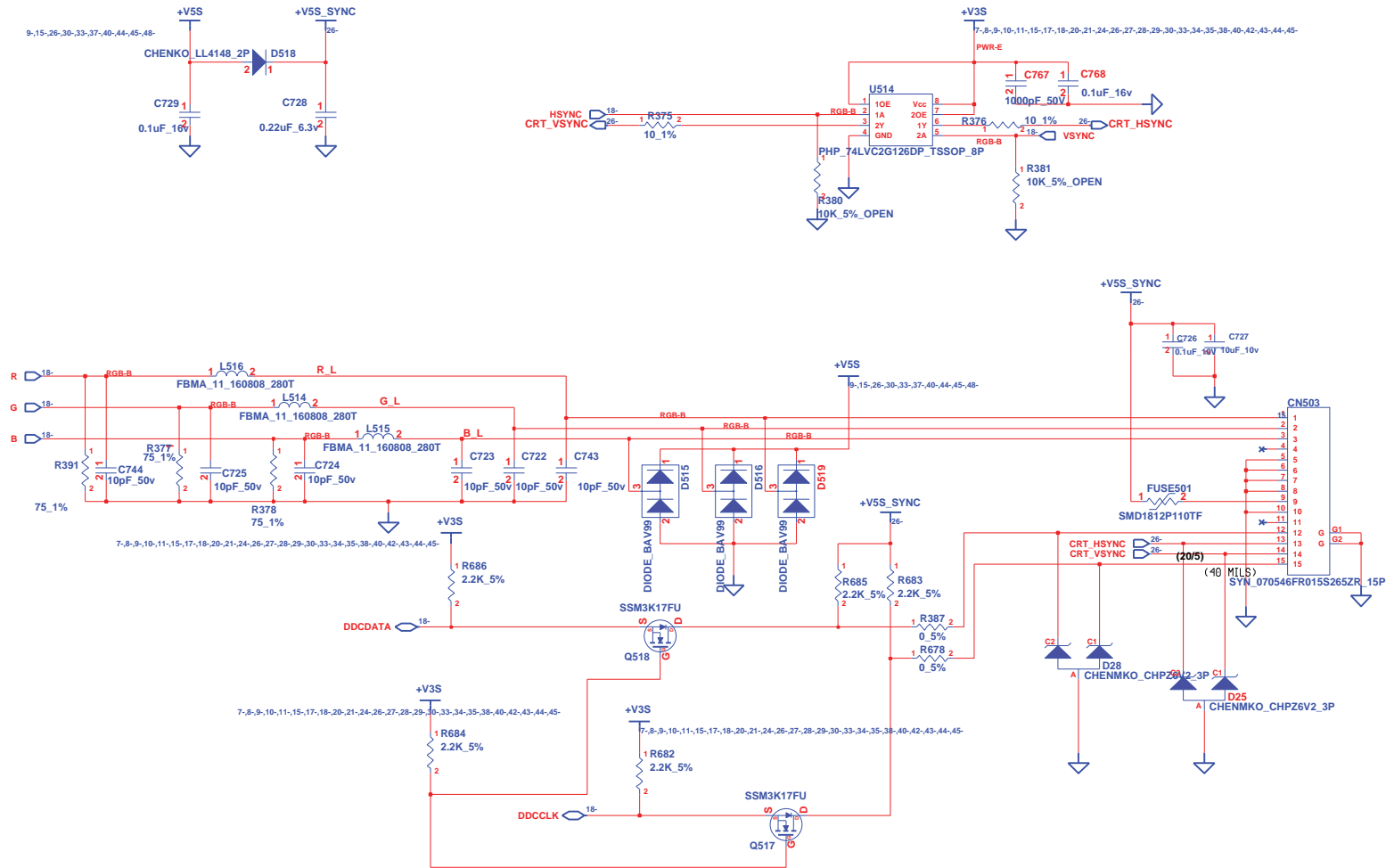
Layout note: Place capacitors between and near DDR connector if possible.

**INVENTEC**

TITLE <b>BIXBY-MB DDR2-2</b>			
SIZE <b>A3</b>	CODE <b>CS</b>	DOC NUMBER <b>1310A22623-0-MTR</b>	REV <b>AXI</b>
CHANGE by <i>Drawer Name</i>		19-Nov-2008	SHEET 25 OF 56

<http://hobi-elektronika.net>

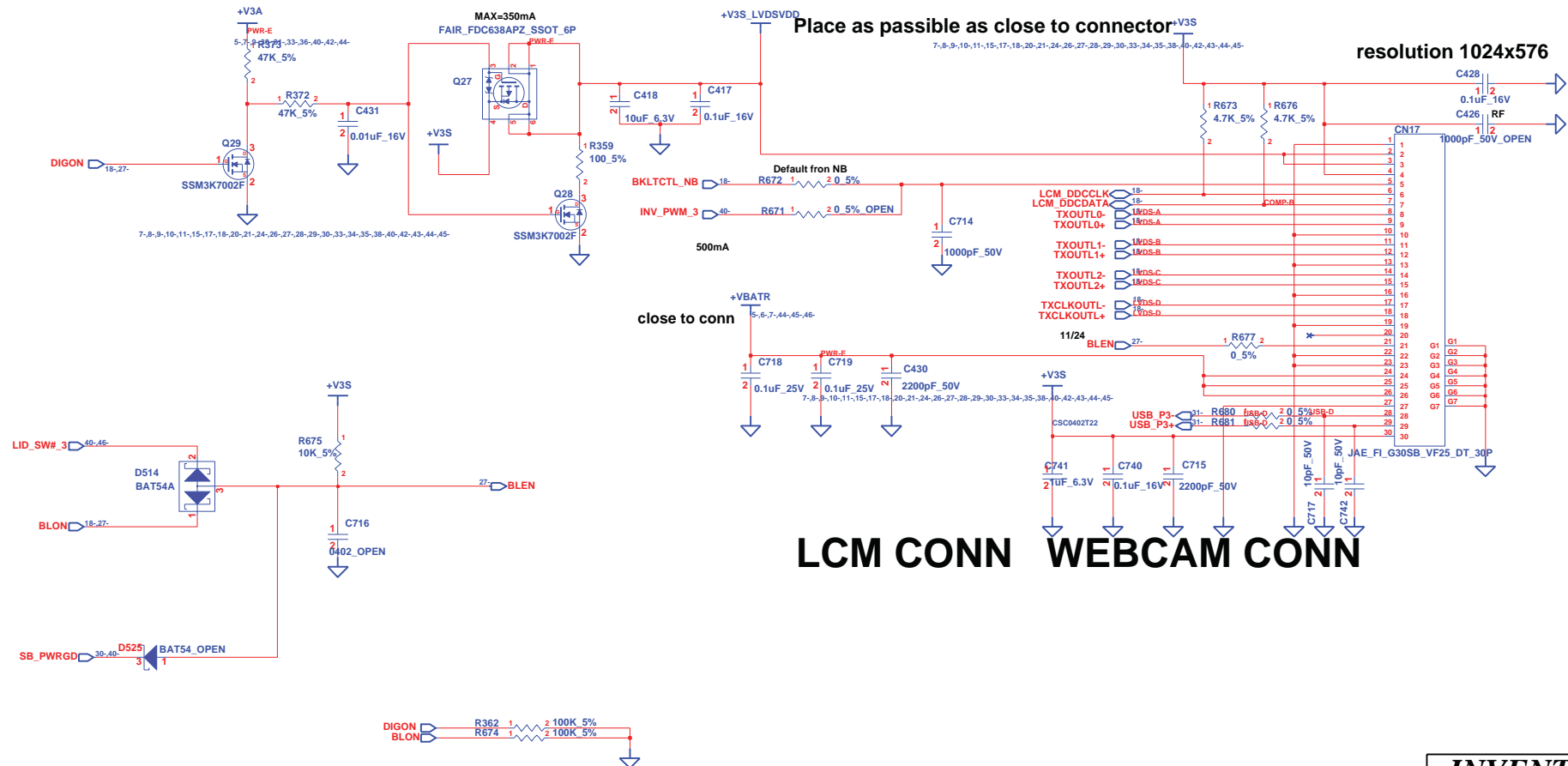
2/23 Modify the circuit for OTS#430096



**INVENTEC**

TITLE			
BIXBY-MB			
CRT			
SIZE	CODE	DOC. NUMBER	REV
A3	CS	1310A22623-0-MTR	AX1
CHANGE by		Drawer Name	19-Nov-2008
SHEET		26	OF 56

<http://hobi-elektronika.net>

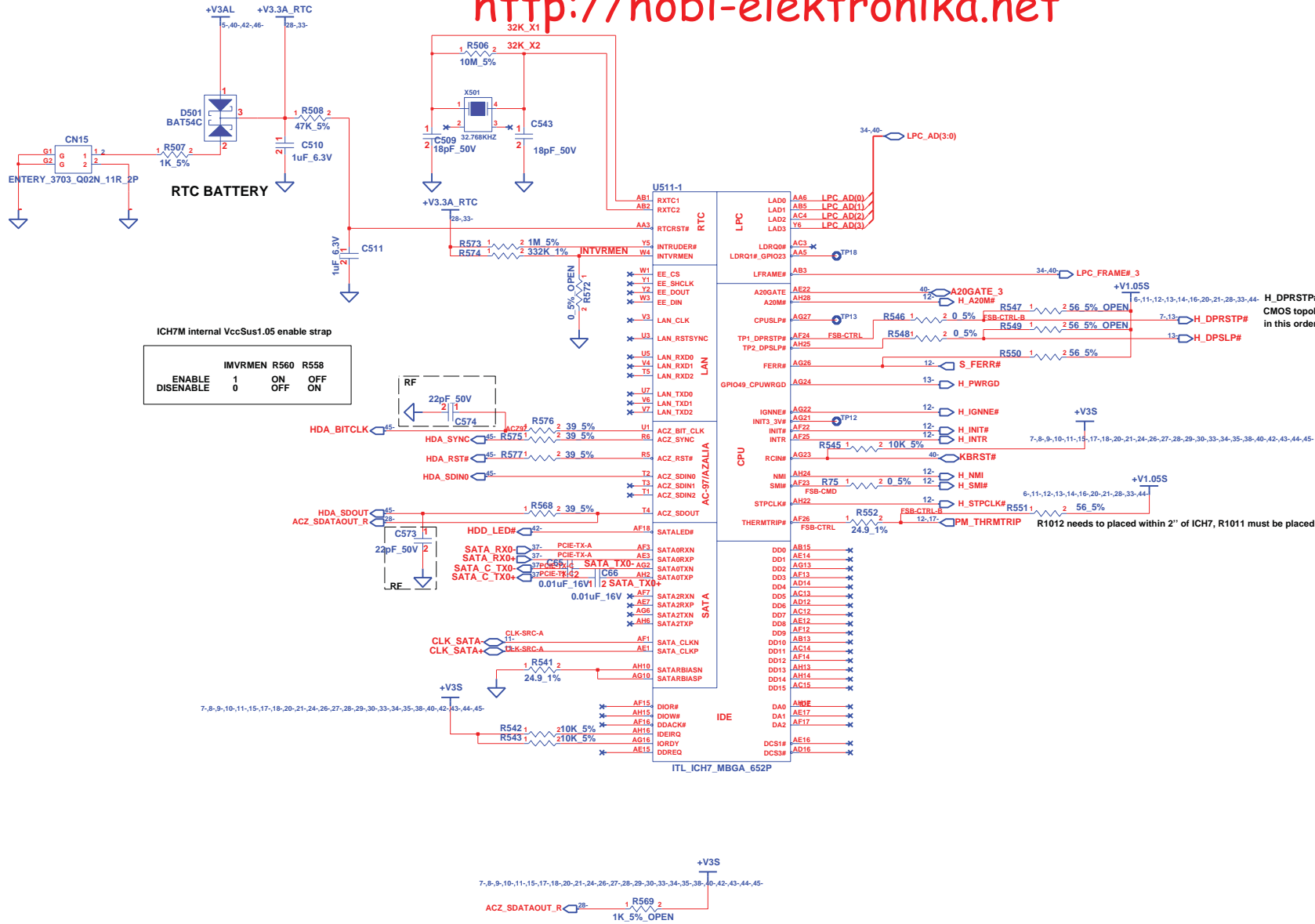


**INVENTEC**

TITLE			
BIXBY-MB			
LVDS			
SIZE	CODE	DOC NUMBER	REV
A3	CS	I310A22623-0-MTR	AXI
CHANGE by		Drawer Name	19-Nov-2008
SHEET		27	OF 56

CHANGE by Drawer Name 19-Nov-2008

<http://hobi-elektronika.net>



ICH7M internal VccSus1.05 enable strap

	IMVSMEN	R560	R558
ENABLE	1	ON	OFF
DISENABLE	0	OFF	ON

H\_DPRSTP# should be routed as "Daisy Chain" CMOS topology, routed from IMVP to CPU in this order exactly!

R1012 needs to be placed within 2" of ICH7, R1011 must be placed within 2" of R1012 w/o stub

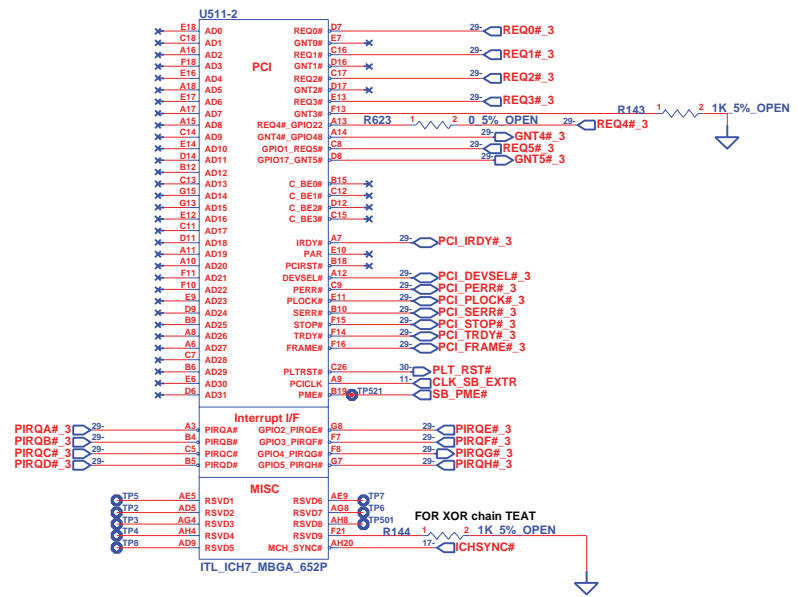
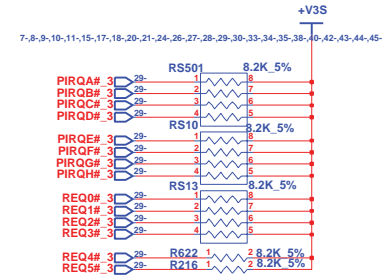
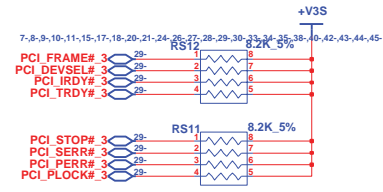
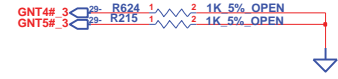
R10844 strap functionality based on ICH\_TP3 strap XOR chain entrance (ICH\_TP3 pulled low) PCI-E port config bit 1 (ICH\_TP3 not pulled low)

<b>INVENTEC</b>			
TITLE <b>BIXBY-MB</b> <b>ICH7M-1</b>			
SIZE <b>A3</b>	CODE <b>CS</b>	DOC. NUMBER <b>I310A22623-0-MTR</b>	REV <b>AX1</b>
CHANGE by <i>Drawer Name</i>		19-Nov-2008	
SHEET		28 OF 56	

<http://hobi-elektronika.net>

ICH7 Boot BIOS select

	STRAP	GNT5#	GNT4#
LPC	11	NC	NC
PCI	10	NC	ON
SPI	01	ON	NC



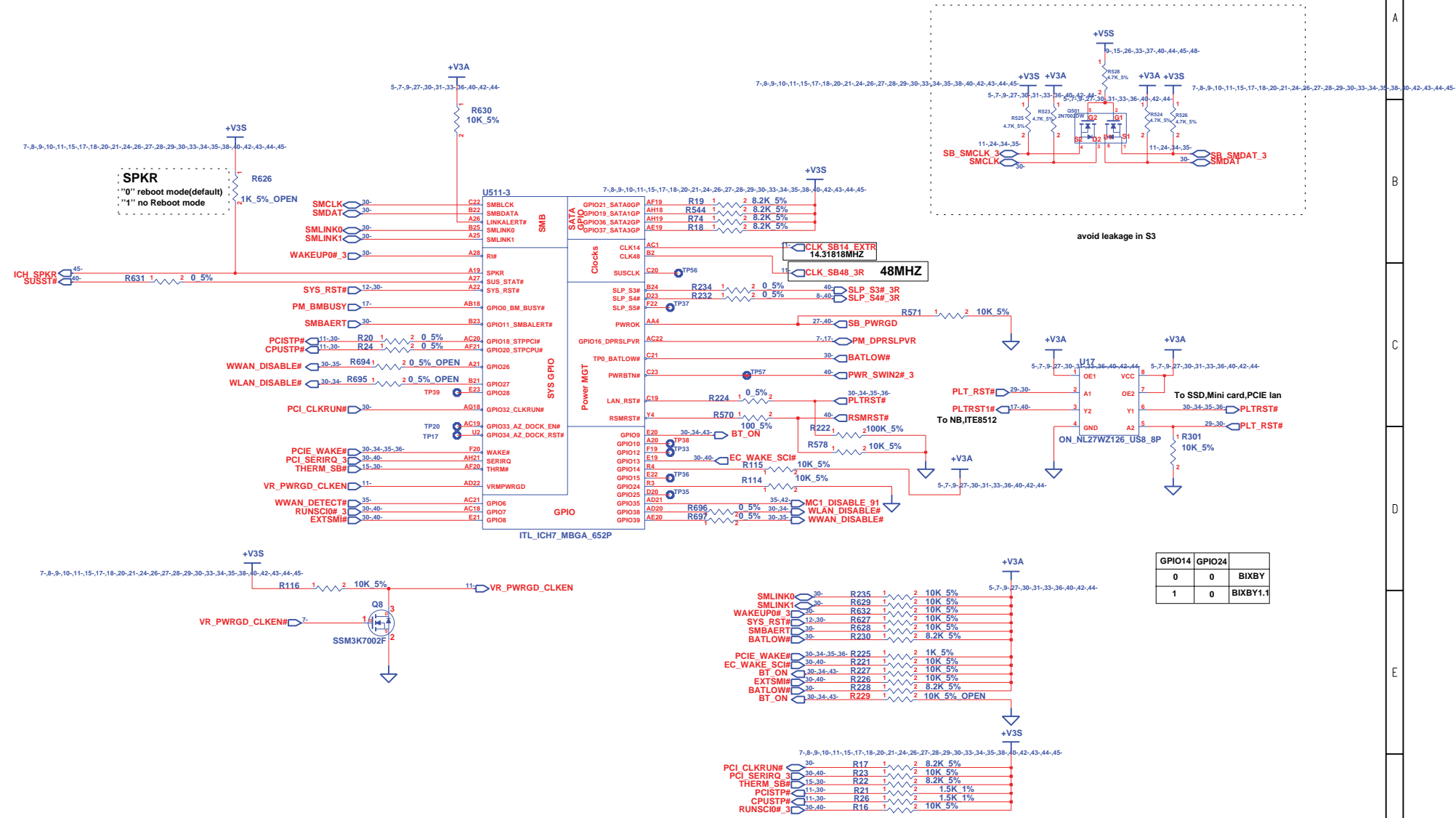
**INVENTEC**

TITLE  
BIXBY-MB  
ICH7-2

SIZE	CODE	DOC NUMBER	REV
A3	CS	1310A22623-0-MTR	AX1

CHANGE by *Drawer Name* 19-Nov-2008

SHEET 29 OF 56

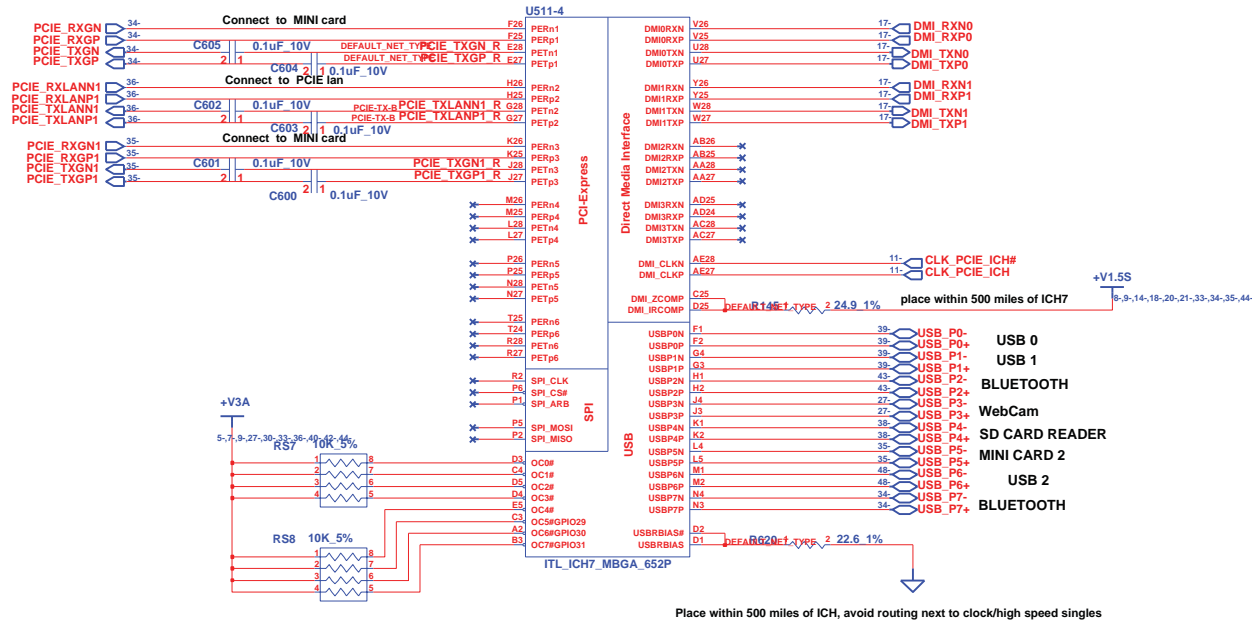


GPIO14	GPIO24	
0	0	BIXBY
1	0	BIXBY.1

**INVENTEC**

TITLE			
BIXBY-MB			
ICH7-3			
SIZE	CODE	DOC NUMBER	REV
A3	CS	1310A22623-0-MTR	AXI
SHEET		30	OF 56

PCIE AC coupling caps need to be within 250 miles of the driver

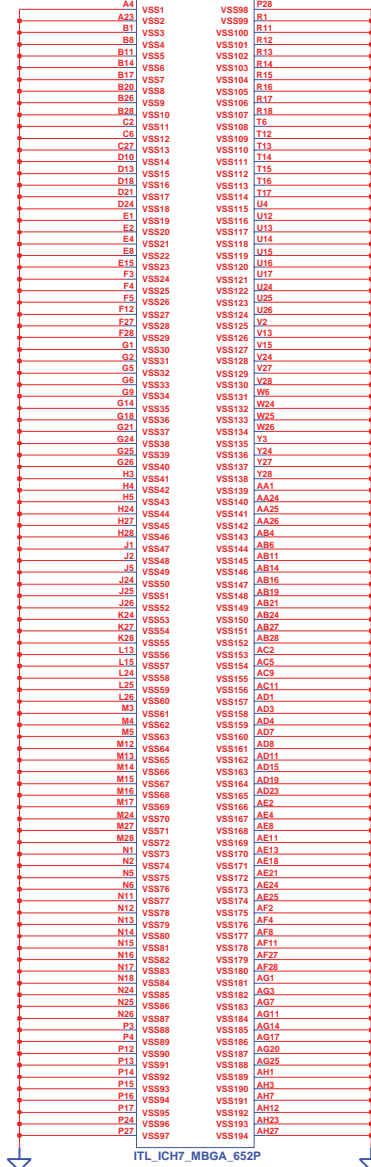


**INVENTEC**

TITLE			
BIXBY-MB			
ICH7-4			
SIZE	CODE	DOC NUMBER	REV
A3	CS	1310A22623-0-MTR	AX1
SHEET		31	OF 56

<http://hobi-elektronika.net>

U511-5



ITL\_ICH7\_MBGA\_652P

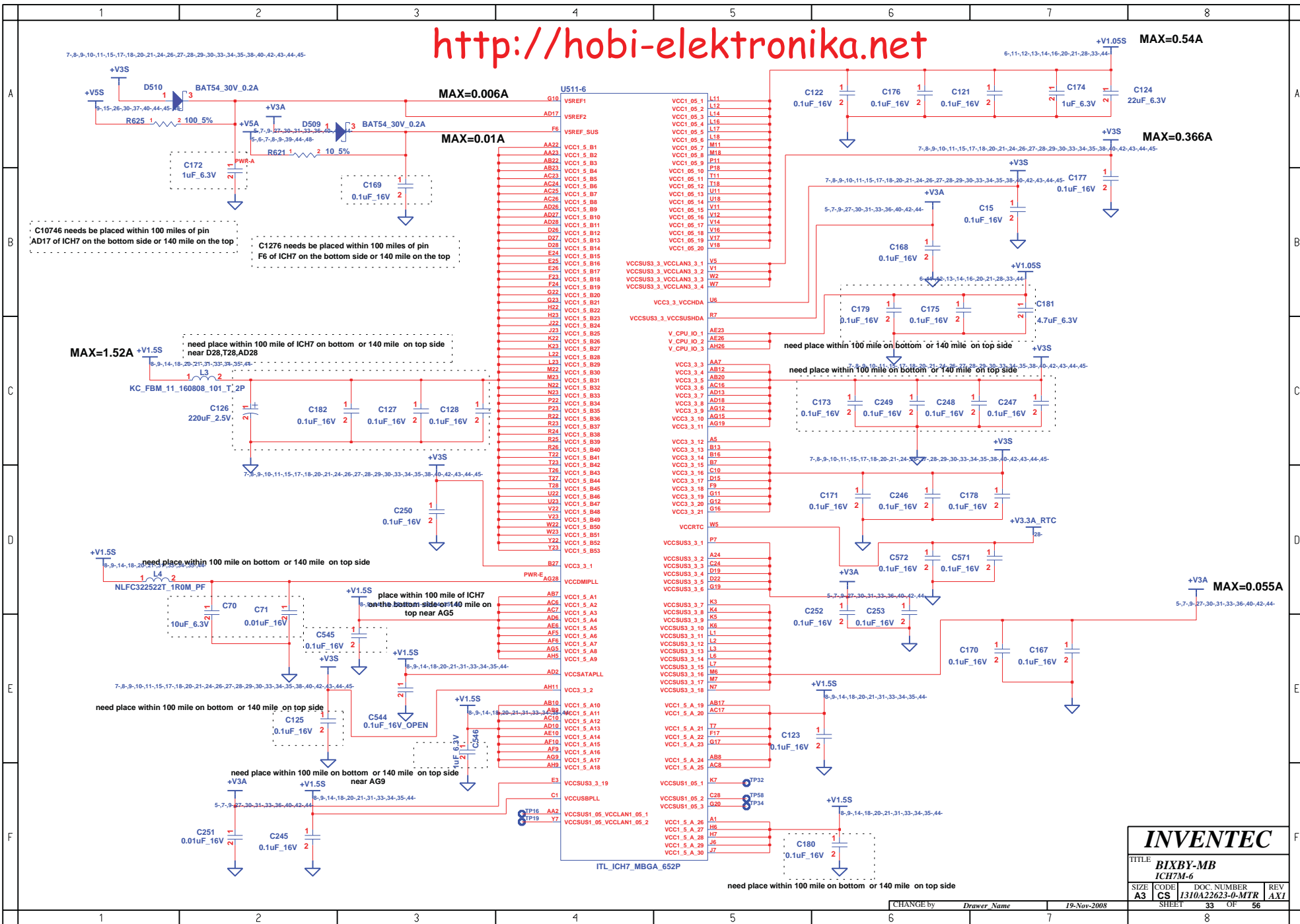
**INVENTEC**

TITLE			
BIXBY-MB			
ICH7-5			
SIZE	CODE	DOC NUMBER	REV
A3	CS	I310A22623-0-MTR	AXI
SHEET		OF	
32		OF	56

CHANGE by *Drawer Name* 19-Nov-2008



<http://hobi-elektronika.net>



**INVENTEC**

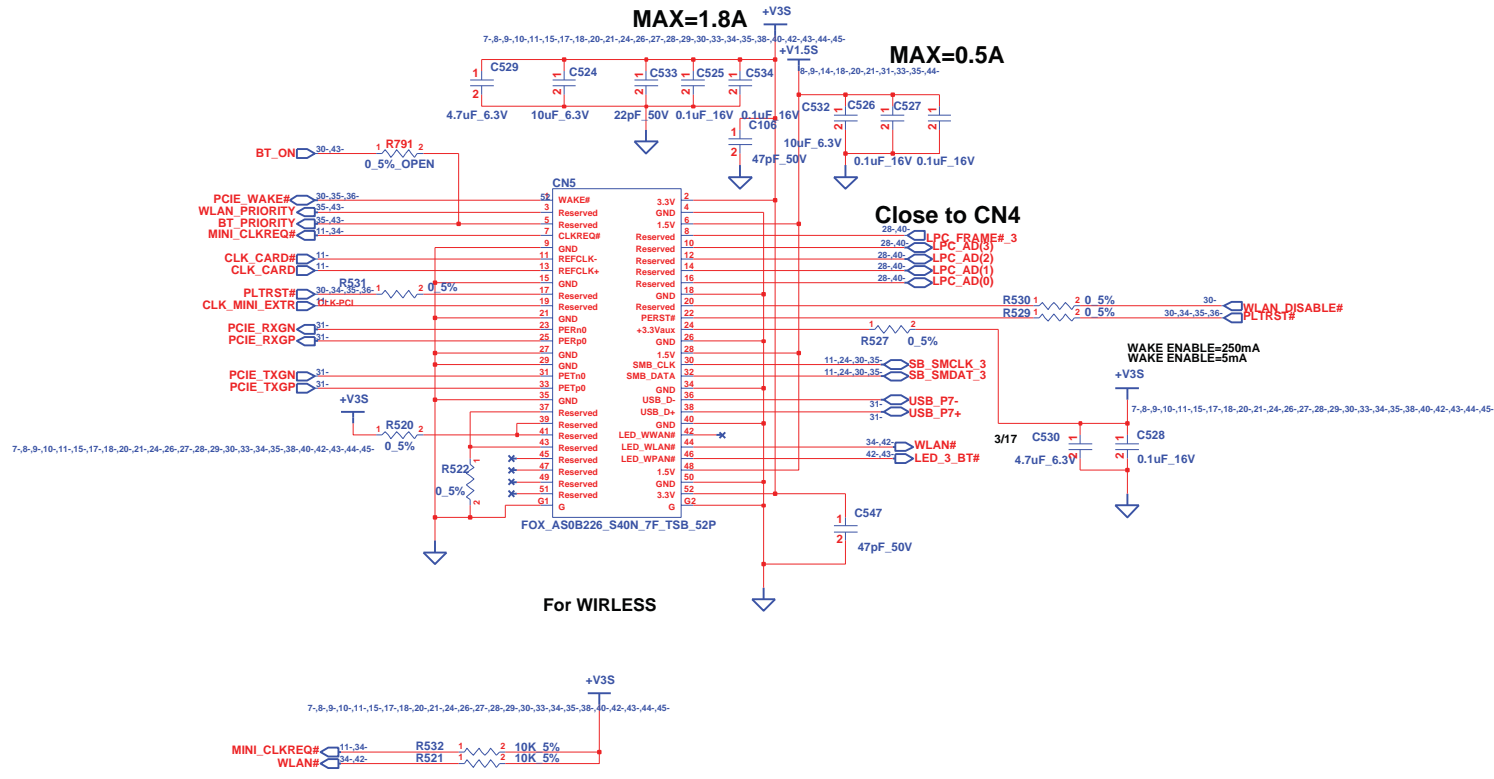
TITLE: **BIXBY-MB ICH7M-6**

SIZE	CODE	DOC. NUMBER	REV
A3	CS	I310A22623-0-MTR	AX1

SHEET 33 OF 56

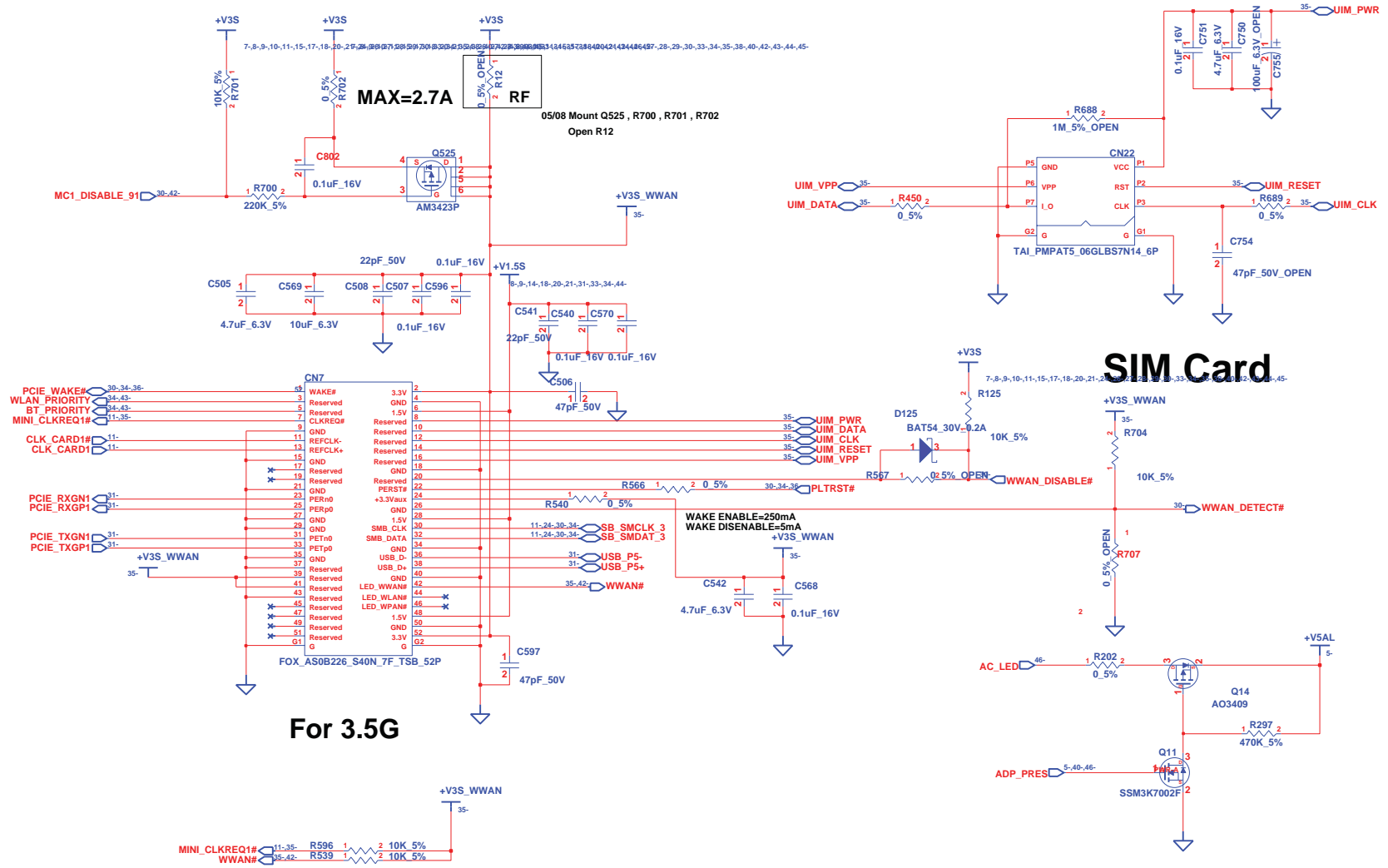
CHANGE by *Drawer Name* 19-Nov-2008

<http://hobi-elektronika.net>



<b>INVENTEC</b>			
TITLE <b>BIXBY-MB</b> Express Card			
SIZE <b>A3</b>	CODE <b>CS</b>	DOC. NUMBER <b>1310A22623-0-MTR</b>	REV <b>AXI</b>
CHANGE by Drawer Name		19-Nov-2008	SHEET 34 OF 56

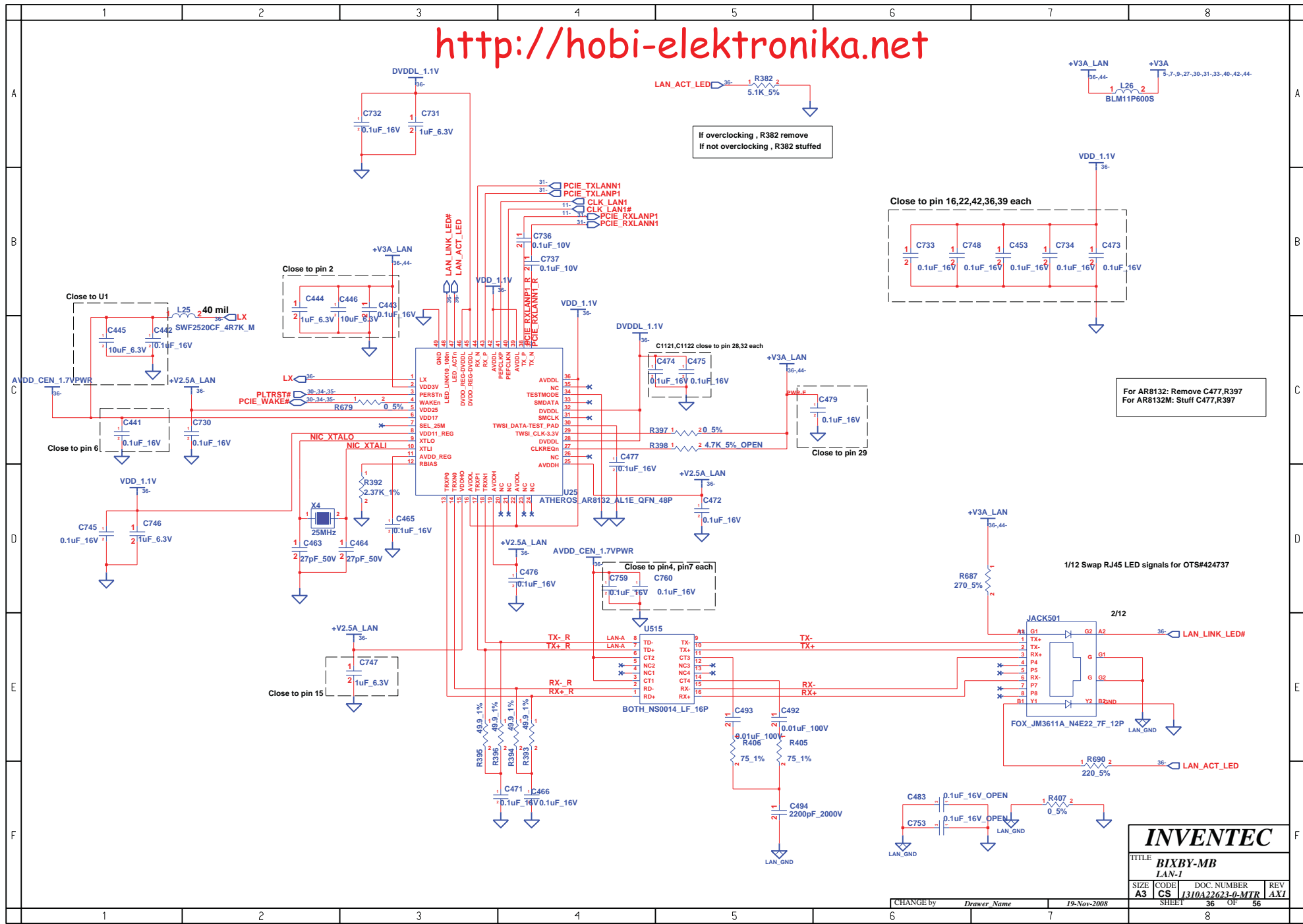
<http://hobi-elektronika.net>



For 3.5G

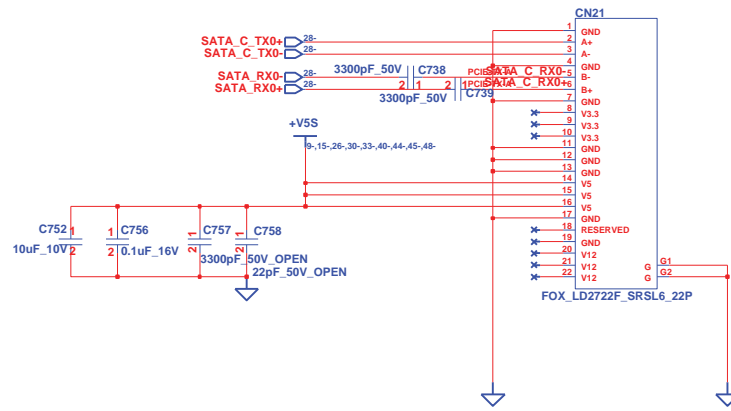
SIM Card

<b>INVENTEC</b>				
TITLE: <b>BIXBY-MB MINI CARD &amp; SIM SLOT</b>				
SIZE: <b>A3</b>	CODE: <b>CS</b>	DOC NUMBER: <b>1310A22623-0-MTR</b>	REV: <b>AX1</b>	
CHANGE by: <i>Drawer Name</i>		19-Nov-2008		
SHEET: 35		OF 56		



<b>INVENTEC</b>			
TITLE <b>BIXBY-MB</b>			
LAN-1			
SIZE <b>A3</b>	CODE <b>CS</b>	DOC. NUMBER <b>1310A22623-0-MTR</b>	REV <b>AX1</b>
CHANGE by <i>Drawer Name</i>		19-Nov-2008	
SHEET <b>36</b>		OF <b>56</b>	

<http://hobi-elektronika.net>



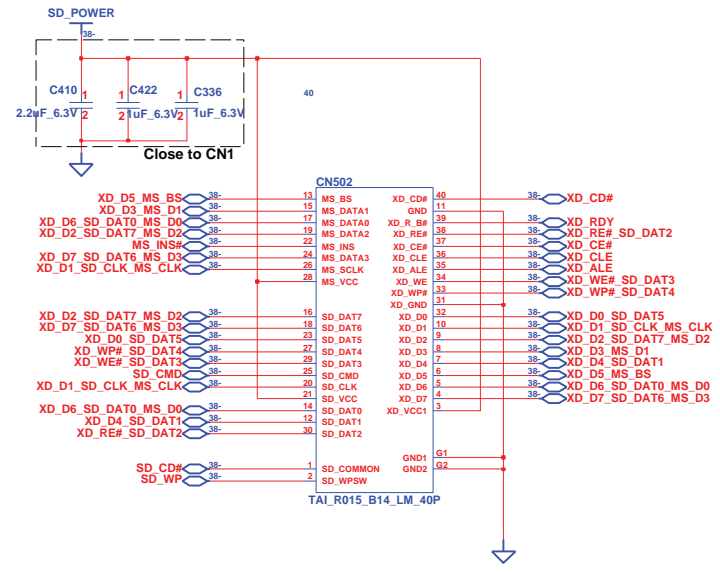
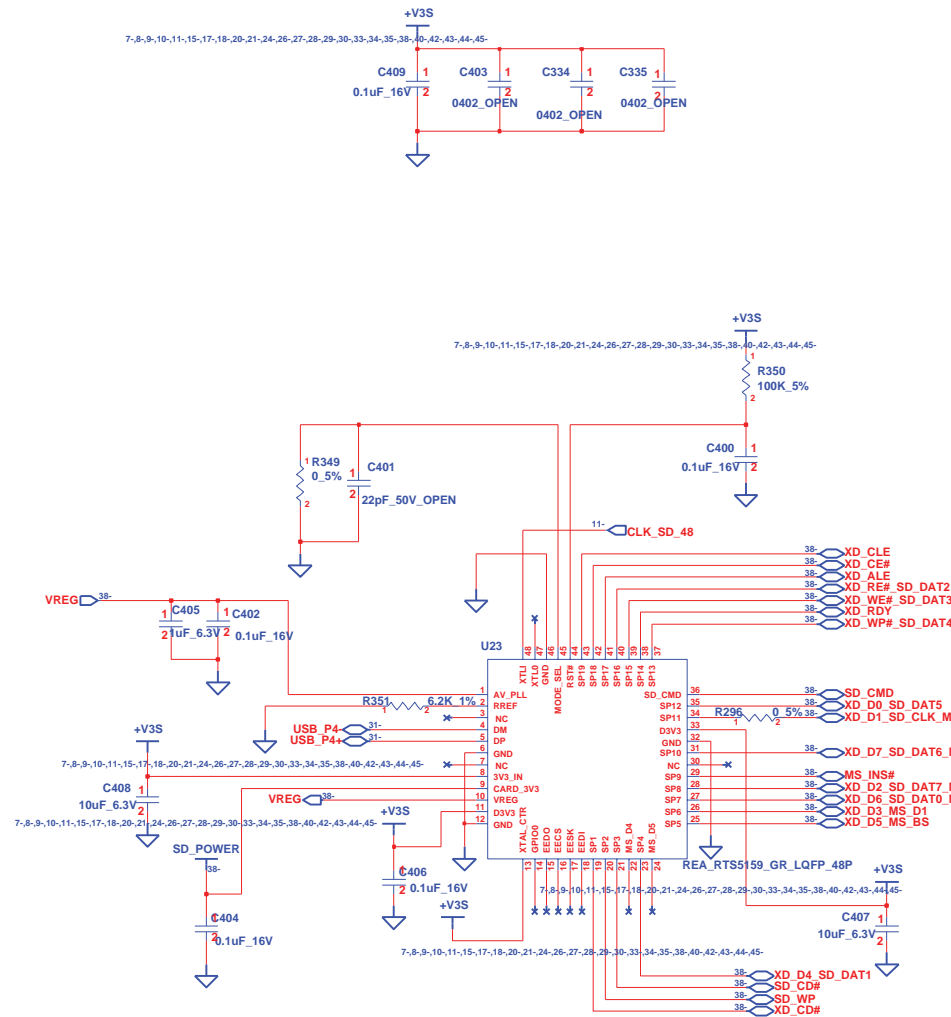
**SATA CONN**

**INVENTEC**

TITLE			
BIXBY-MB			
SSD CONN			
SIZE	CODE	DOC. NUMBER	REV
A3	CS	1310A22623-0-MTR	AXJ
SHEET		37	OF 56

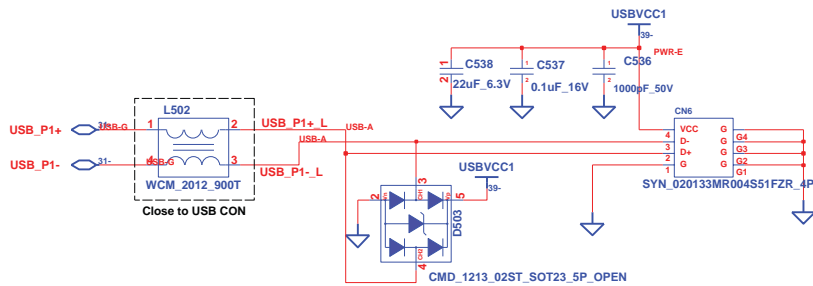
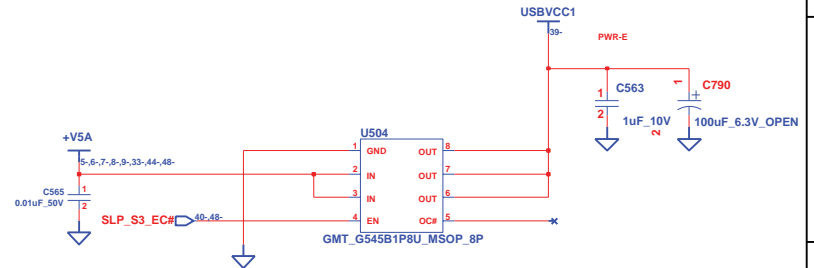
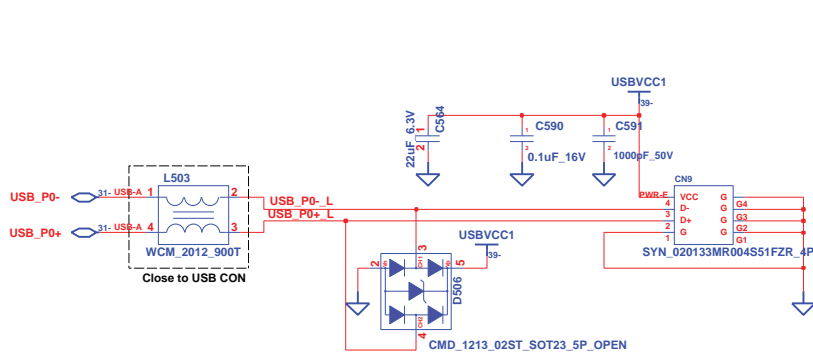
CHANGE by *Drawer Name* 19-Nov-2008

<http://hobi-elektronika.net>



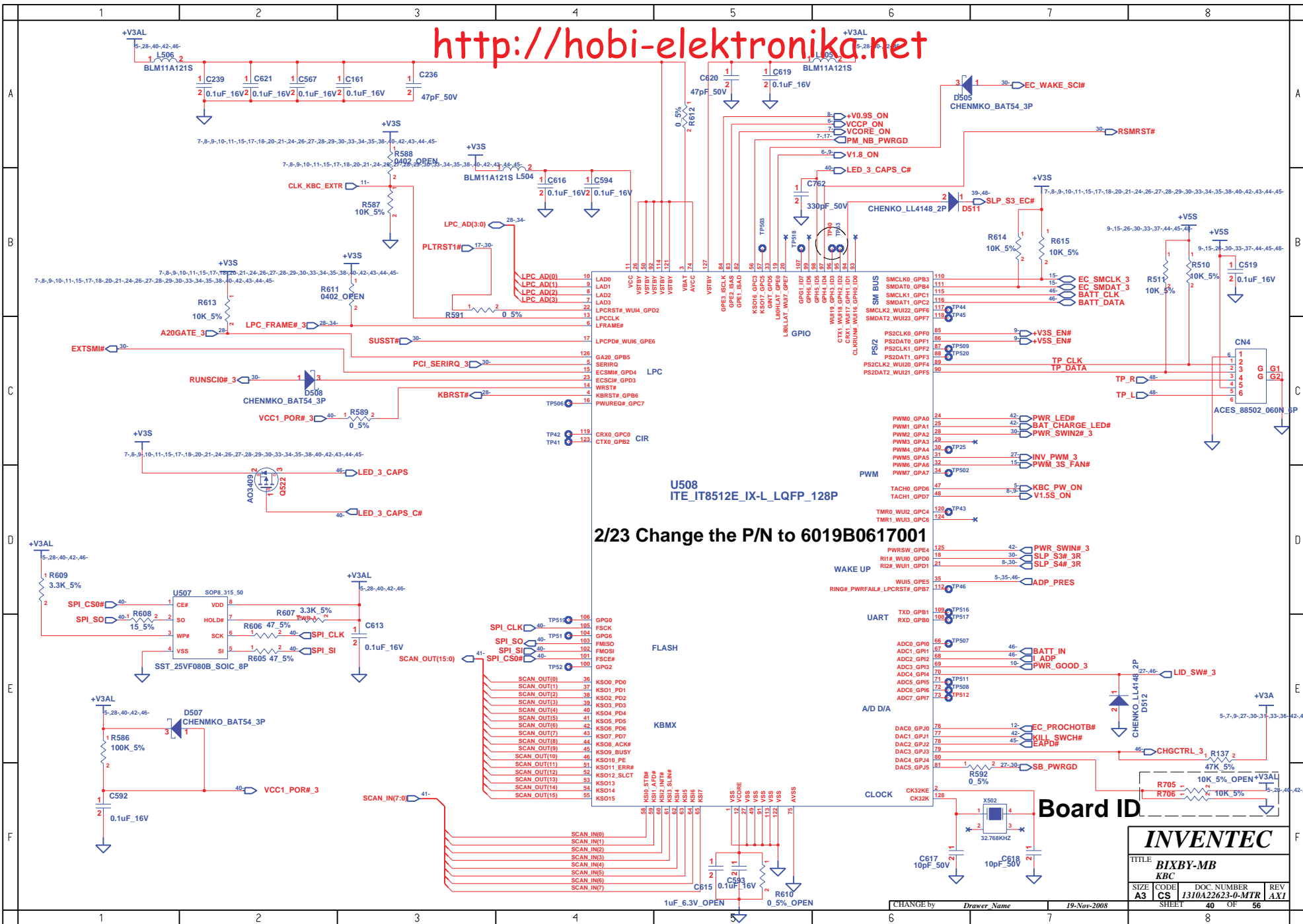
<b>INVENTEC</b>			
TITLE <b>BIXBY-MB SD CARD READER</b>			
SIZE <b>A3</b>	CODE <b>CS</b>	DOC NUMBER <b>I310A22623-0-MTR</b>	REV <b>AX1</b>
CHANGE by <i>Drawer Name</i>		19-Nov-2008	SHEET 38 OF 56

<http://hobi-elektronika.net>



TITLE			
BIXBY-MB			
USB&SATA CONN			
SIZE	CODE	DOC. NUMBER	REV
A3	CS	I310A22623-0-MTR	AXI
CHANGE by		Drawer Name	19-Nov-2008
SHEET		39	OF 56

<http://hobi-elektronika.net>



2/23 Change the P/N to 6019B0617001

Board ID

INVENTEC

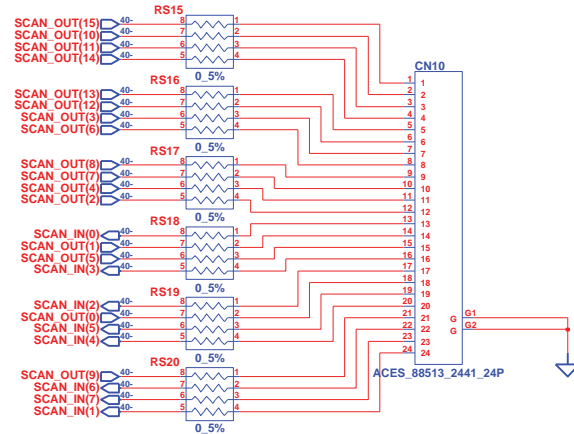
TITLE: BIXBY-MB KBC

SIZE: A3, CODE: CS, DOC NUMBER: J310A22623-0-MTR, REV: AX1, SHEET: 40 OF 56

CHANGE by: Drawer Name, 19-Nov-2008



<http://hobi-elektronika.net>

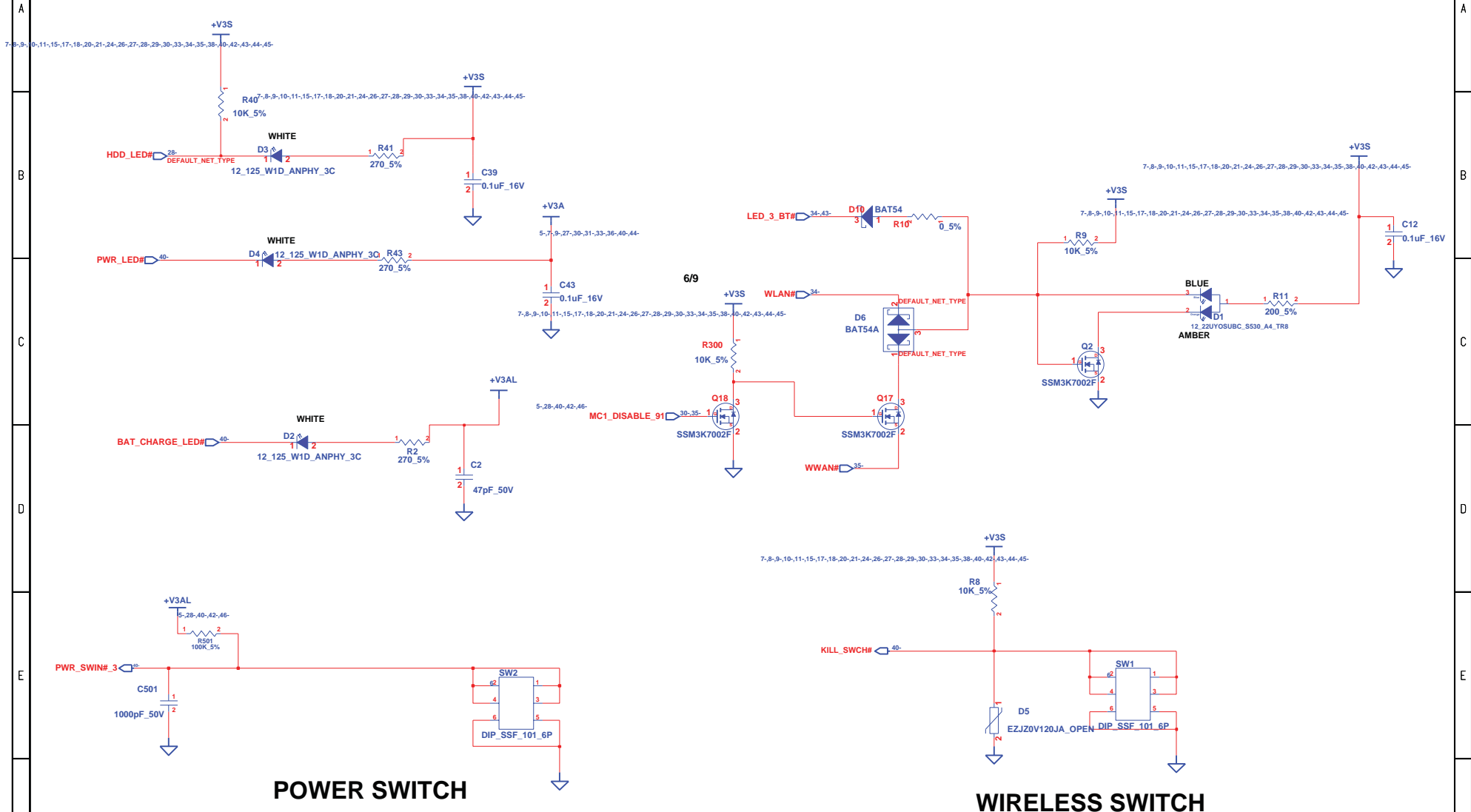


<b>INVENTEC</b>			
TITLE <b>BIXBY-MB</b>			
Keyboard connector			
SIZE <b>A3</b>	CODE <b>CS</b>	DOC NUMBER <b>1310A22623-0-MTR</b>	REV <b>AX1</b>
CHANGE by <i>Drawer Name</i>		19-Nov-2008	
SHEET <b>41</b>		OF <b>56</b>	

CHANGE by *Drawer Name* 19-Nov-2008

SHEET 41 OF 56

<http://hobi-elektronika.net>

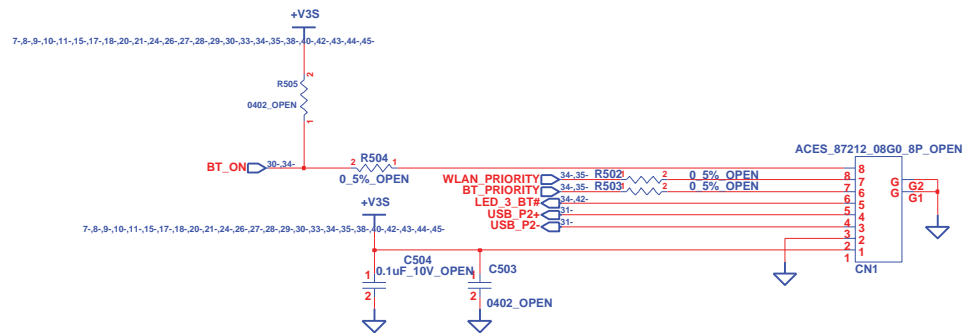


**POWER SWITCH**

**WIRELESS SWITCH**

<b>INVENTEC</b>				
TITLE <b>BIXBY-MB</b>				
ALL SWITCH				
SIZE <b>A3</b>	CODE <b>CS</b>	DOC. NUMBER <b>1310A22623-0-MTR</b>	REV <b>AX1</b>	
CHANGE by <i>Drawer Name</i>		19-Nov-2008	SHEET <b>42</b>	OF <b>56</b>

<http://hobi-elektronika.net>



## OPEN BLUETOOTH

**INVENTEC**

TITLE

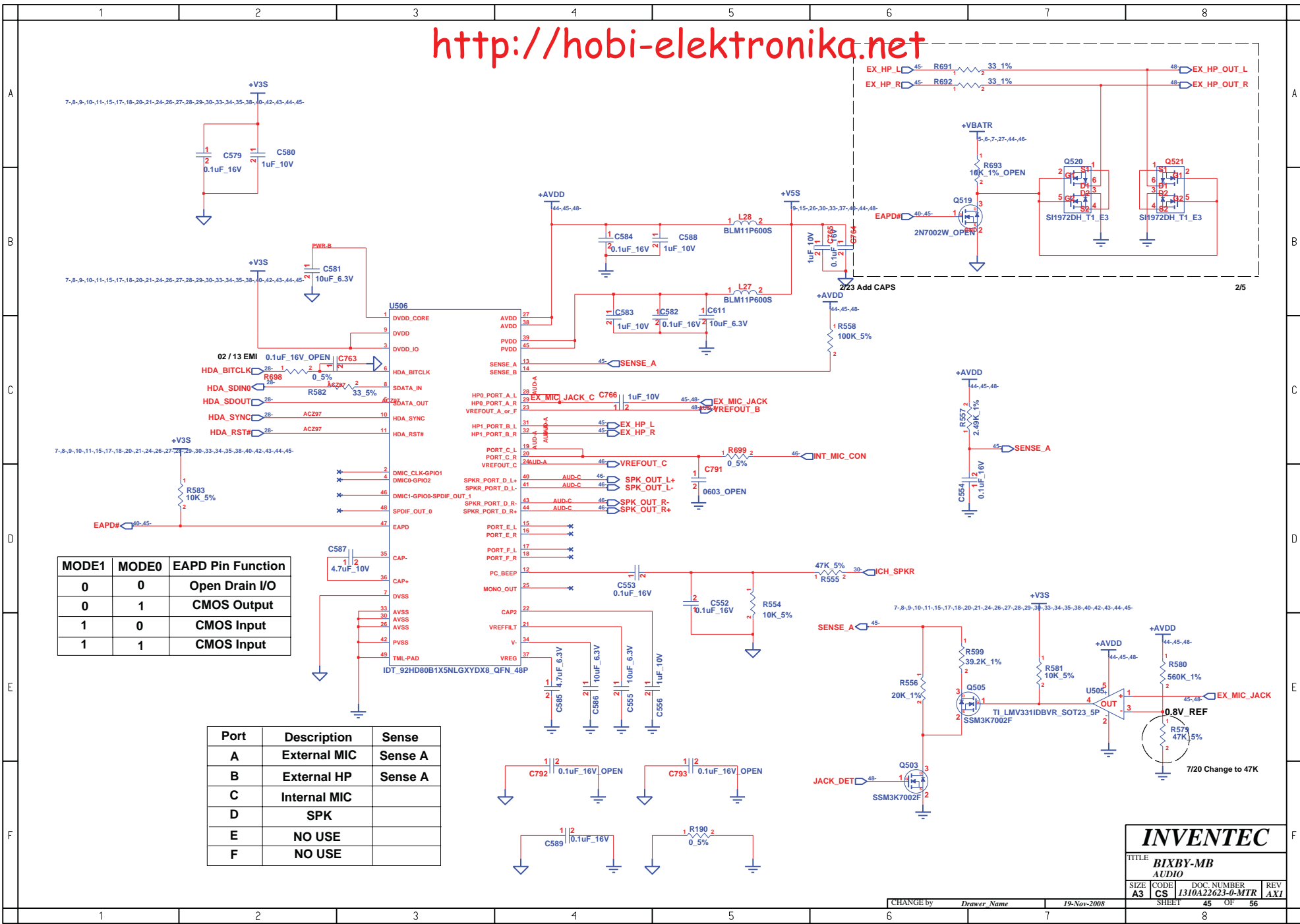
SIZE	CODE	DOC. NUMBER	REV
		1310AZ2151-0-0MTR	B

CHANGE by

SHEET OF

8





MODE1	MODE0	EAPD Pin Function
0	0	Open Drain I/O
0	1	CMOS Output
1	0	CMOS Input
1	1	CMOS Input

Port	Description	Sense
A	External MIC	Sense A
B	External HP	Sense A
C	Internal MIC	
D	SPK	
E	NO USE	
F	NO USE	

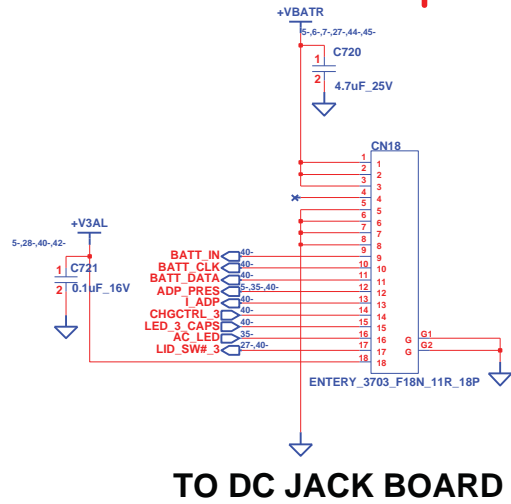
**INVENTEC**

TITLE: **BIXBY-MB AUDIO**

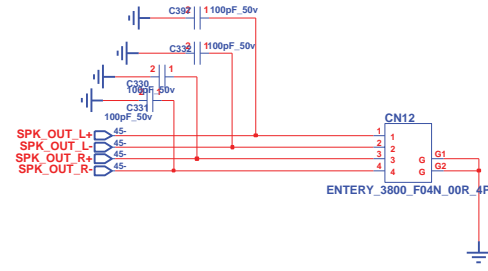
SIZE	CODE	DOC. NUMBER	REV
A3	CS	1310A22623-0-MTR	AX1

SHEET 45 OF 56

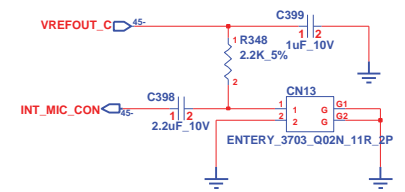
<http://hobi-elektronika.net>



**TO DC JACK BOARD**

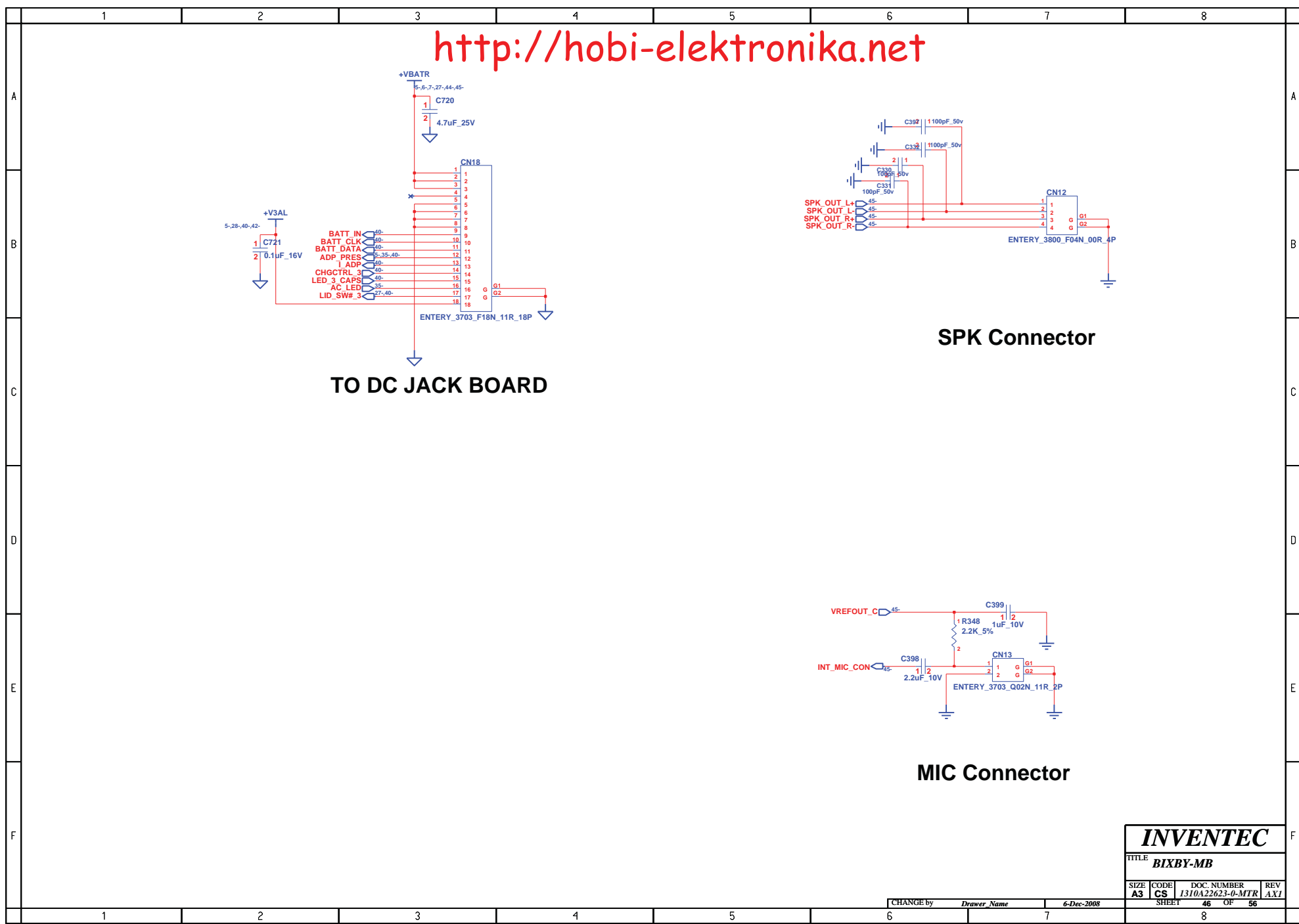


**SPK Connector**



**MIC Connector**

<b>INVENTEC</b>			
TITLE <b>BIXBY-MB</b>			
SIZE <b>A3</b>	CODE <b>CS</b>	DOC NUMBER <i>1310A22623-0-MTR</i>	REV <b>AX1</b>
CHANGE by <i>Drawer Name</i>		6-Dec-2008	SHEET <b>46</b> OF <b>56</b>

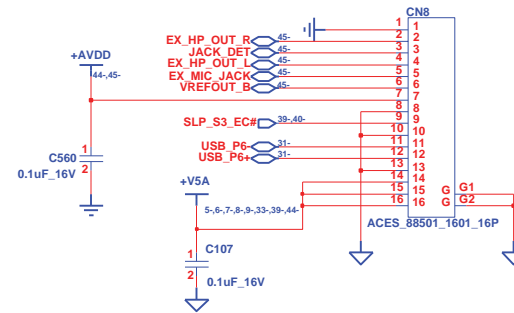


<http://hobi-elektronika.net>

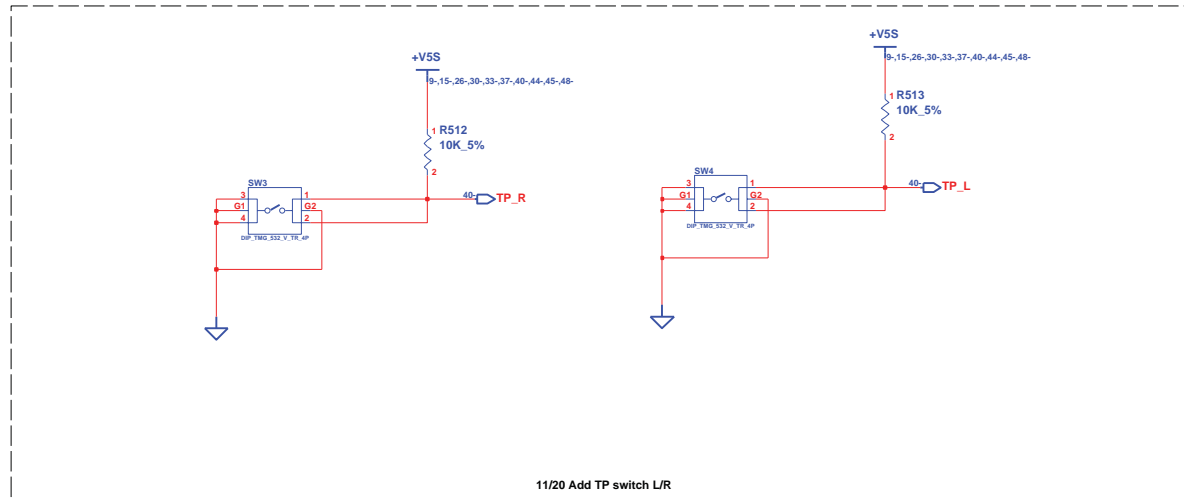
	1	2	3	4	5	6	7	8	
A									A
B									B
C									C
D									D
E									E
F									F
	1	2	3	4	5	6	7	8	

<b>INVENTEC</b>			
TITLE <b>BIXBY-MB</b>			
AUDIO			
SIZE	CODE	DOC. NUMBER	REV.
A3	CS	1310A22623-0-MTR	AX
CHANGE by		Drawer Name	20-Feb-2009
SHEET		47	OF 56

<http://hobi-elektronika.net>



11/17 Add AUDIO JACK BOARD CONN



11/20 Add TP switch L/R

**INVENTEC**

TITLE			
BIXBY-MB			
DC BOARD			
SIZE	CODE	DOC. NUMBER	REV
A3	CS	I310A22623-0-MTR	AX1
SHEET		48	OF 56

CHANGE by *Drawer Name* 19-Nov-2008



<http://hobi-elektronika.net>

BIXBY HISTORY

A

A

B

B

C

C

D

D

E

E

F

F

<b>INVENTEC</b>			
TITLE <b>BIXBY-MB</b>			
History			
SIZE	CODE	DOC. NUMBER	REV
A3	CS	1310A22623-0-MTR	AX1
CHANGE by		Drawer Name	13-Apr-2009
SHEET		49	OF 56

1

2

3

4

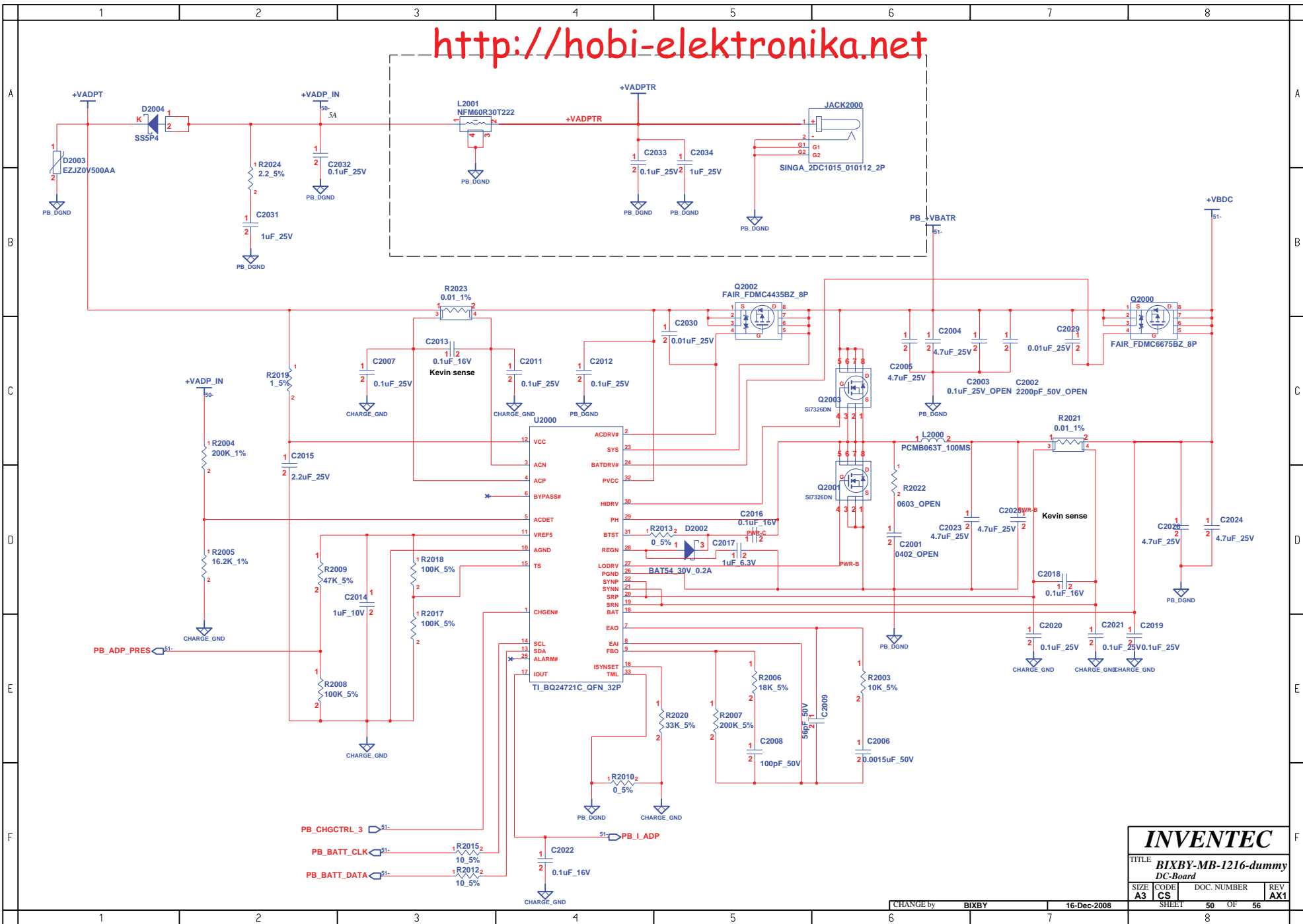
5

6

7

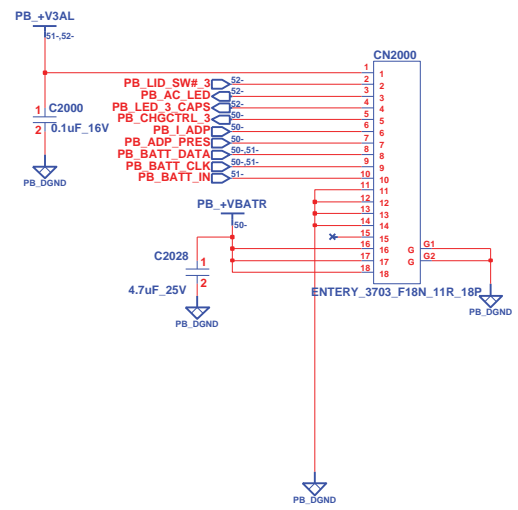
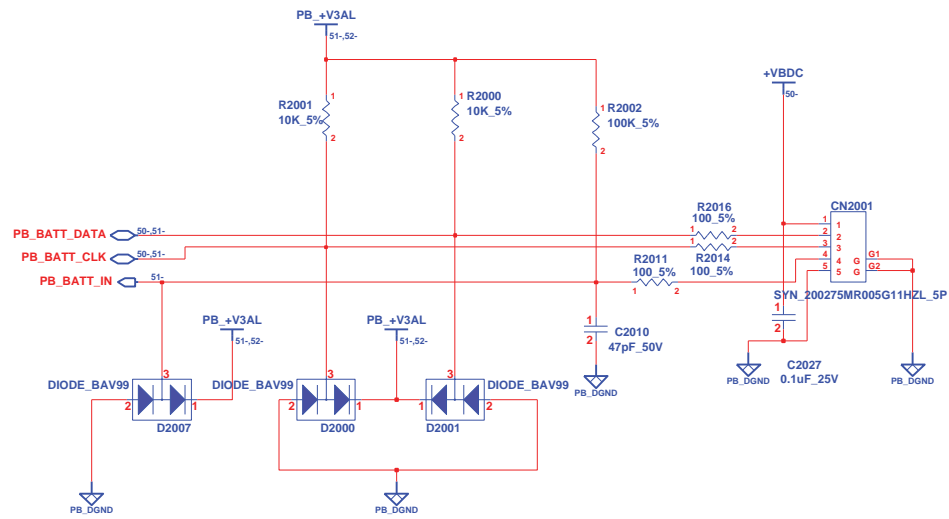
8

<http://hobi-elektronika.net>



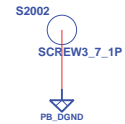
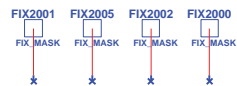
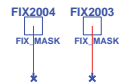
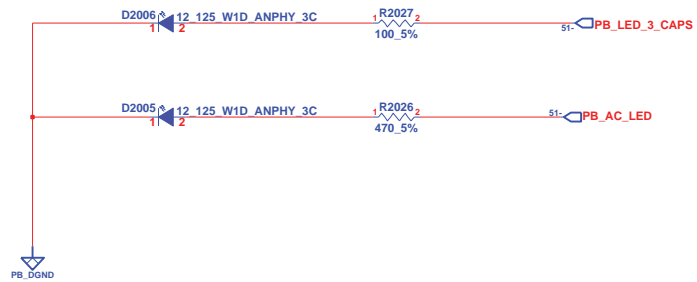
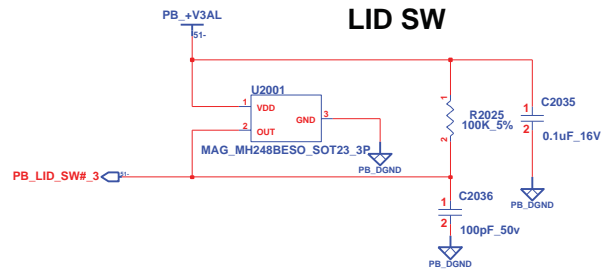
<b>INVENTEC</b>			
TITLE <b>BIXBY-MB-1216-dummy</b> DC-Board			
SIZE <b>A3</b>	CODE <b>CS</b>	DOC. NUMBER 50	REV <b>AX1</b>
CHANGE by <b>BIXBY</b>		16-Dec-2008	50 OF 56
SHEET		8	

<http://hobi-elektronika.net>



<b>INVENTEC</b>			
TITLE <b>BIXBY-MB-1216-dummy</b> <i>DC-Board</i>			
SIZE <b>A3</b>	CODE <b>CS</b>	DOC. NUMBER 51 OF 56	REV <b>AX1</b>
CHANGE by <b>BIXBY</b>		16-Dec-2008	SHEET

<http://hobi-elektronika.net>



<b>INVENTEC</b>			
TITLE <b>BIXBY-MB-1216-dummy</b>			
DC-Board			
SIZE <b>A3</b>	CODE <b>CS</b>	DOC. NUMBER 52 OF 56	REV <b>AX1</b>

CHANGE by **BIXBY** 24-Apr-2009

SHEET 8

<http://hobi-elektronika.net>

*BIXBY DC JACK Board HISTORY*

A

A

B

B

C

C

D

D

E

E

F

F

<b>INVENTEC</b>			
TITLE <i>BIXBY-MB-1216-dummy</i>			
DC-Board			
SIZE <b>A3</b>	CODE <b>CS</b>	DOC. NUMBER	REV <b>AX1</b>
SHEET		53	OF 56

CHANGE by **BIXBY** 13-Apr-2009

1

2

3

4

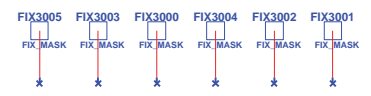
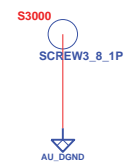
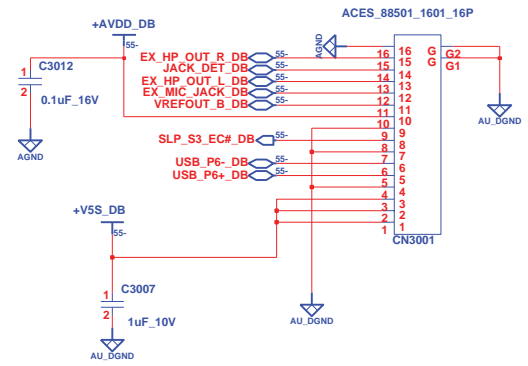
5

6

7

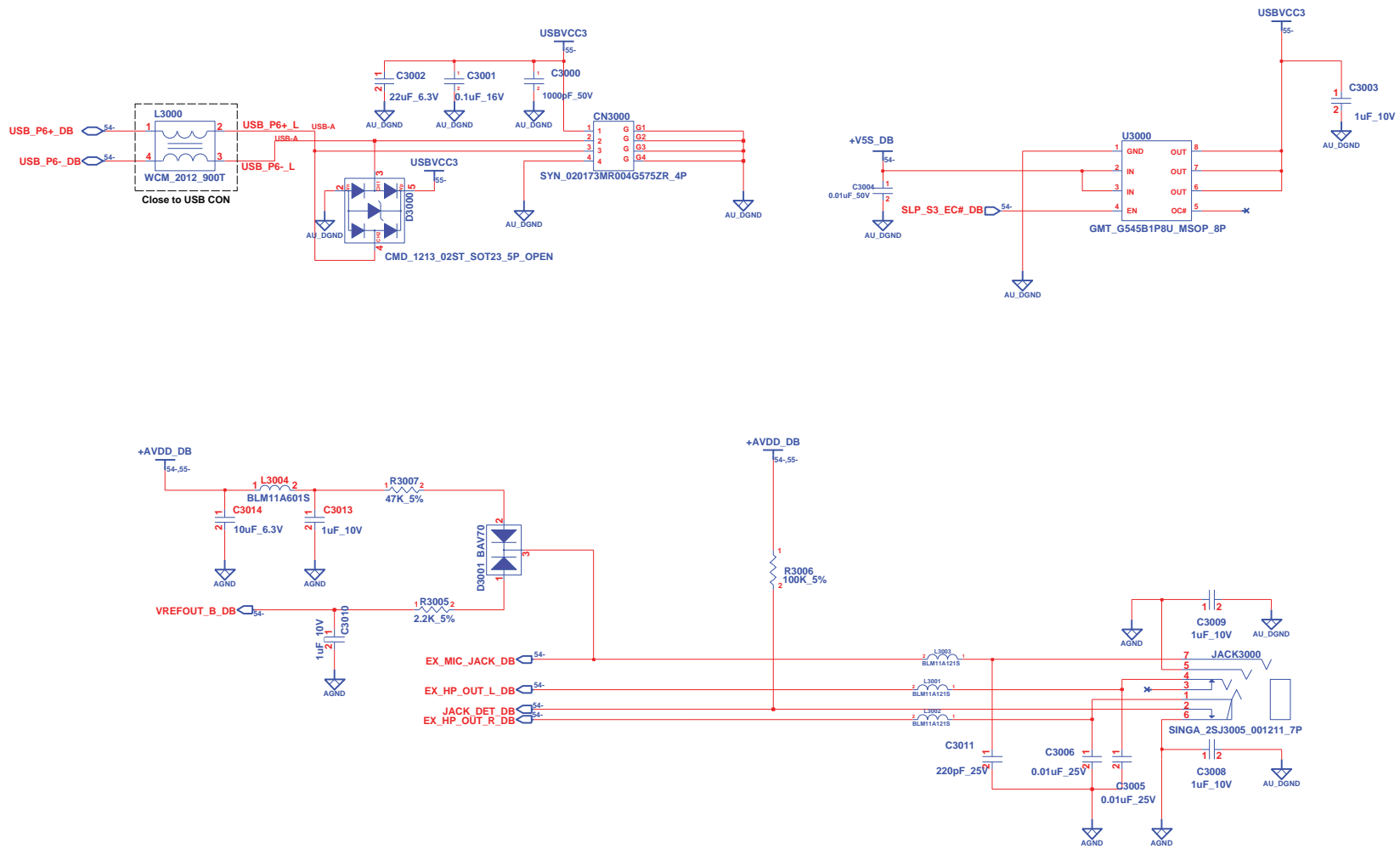
8

<http://hobi-elektronika.net>



<b>INVENTEC</b>			
TITLE <b>BIXBY-MB-1216</b> <i>Audio-Board</i>			
SIZE <b>A3</b>	CODE <b>CS</b>	DOC. NUMBER 54 OF 56	REV <b>AX1</b>
CHANGE by <b>BIXBY</b>		16-Dec-2008	SHEET 8

<http://hobi-elektronika.net>



**INVENTEC**

TITLE  
**BIXBY-MB-1216**  
*Audio-Board*

SIZE <b>A3</b>	CODE <b>CS</b>	DOC. NUMBER 55 OF 56	REV <b>AX1</b>
-------------------	-------------------	-------------------------	-------------------

CHANGE by **BIXBY** 10-Jan-2009

SHEET 8

<http://hobi-elektronika.net>

BIXBY\_AUDIO JACK BOARD HISTORY

<b>INVENTEC</b>			
TITLE <b>BIXBY-MB-1216</b>			
Audio-Board			
SIZE <b>A3</b>	CODE <b>CS</b>	DOC. NUMBER	REV <b>AX1</b>
CHANGE by <b>BIXBY</b>		13-Apr-2009	SHEET 56 OF 56